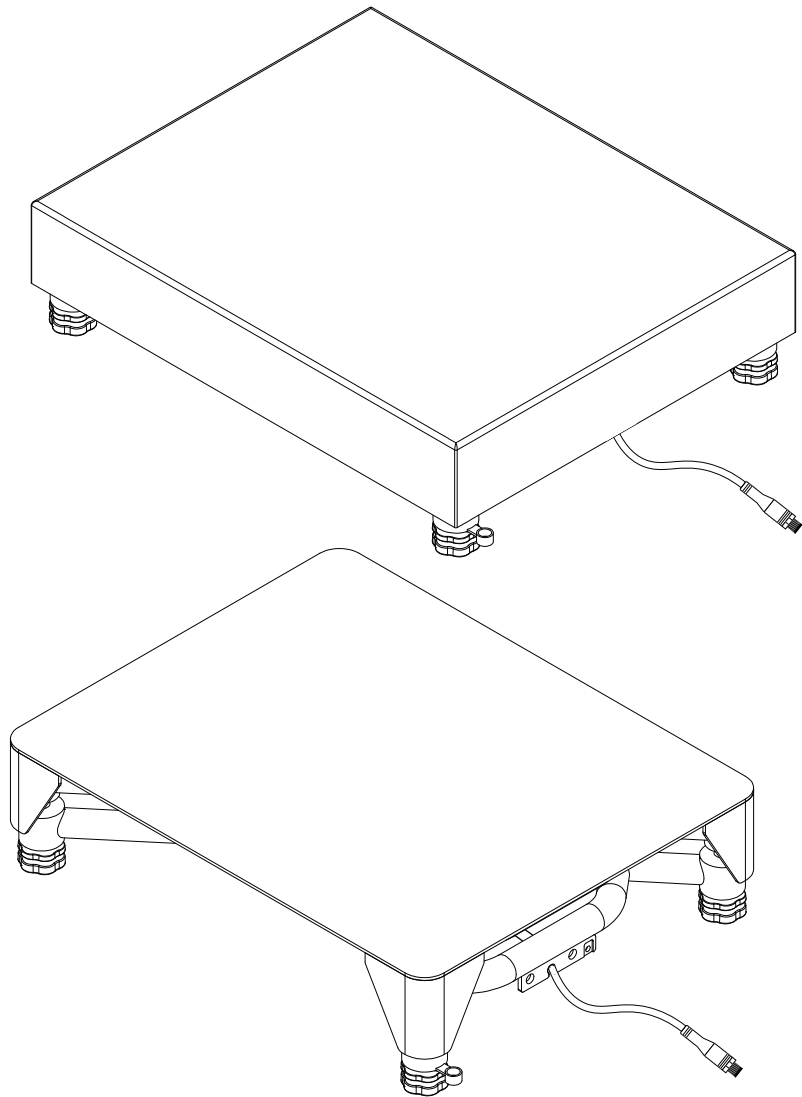


# PBA639 / PBA639x / PBA639xx

<b>English</b>	User Manual Weighing Platform
<b>Svenska</b>	Användarmanual Vägningplattform
<b>Dansk</b>	Brugervejledning Vejeplatform
<b>Norsk</b>	Brukermanual Veieplattform



**METTLER TOLEDO**



---

User Manual

**English**

---

Användarmanual

**Svenska**

---

Brugervejledning

**Dansk**

---

Brukermanual

**Norsk**

---



# METTLER TOLEDO Service

Congratulations on choosing the quality and precision of METTLER TOLEDO. Proper use of your new equipment according to this Manual and regular calibration and maintenance by our factory-trained service team ensures dependable and accurate operation, protecting your investment. Contact us about a service agreement tailored to your needs and budget. Further information is available at ► [www.mt.com/service](http://www.mt.com/service).

There are several important ways to ensure you maximize the performance of your investment:

- 1 **Register your product:** We invite you to register your product at [www.mt.com/productregistration](http://www.mt.com/productregistration) so we can contact you about enhancements, updates and important notifications concerning your product.
- 2 **Contact METTLER TOLEDO for service:** The value of a measurement is proportional to its accuracy – an out of specification scale can diminish quality, reduce profits and increase liability. Timely service from METTLER TOLEDO will ensure accuracy and optimize uptime and equipment life.
  - ➔ **Installation, Configuration, Integration and Training:** Our service representatives are factory-trained weighing equipment experts. We make certain that your weighing equipment is ready for production in a cost effective and timely fashion and that personnel are trained for success.
  - ➔ **Initial Calibration Documentation:** The installation environment and application requirements are unique for every industrial scale so performance must be tested and certified. Our calibration services and certificates document accuracy to ensure production quality and provide a quality system record of performance.
  - ➔ **Periodic Calibration Maintenance:** A Calibration Service Agreement provides on-going confidence in your weighing process and documentation of compliance with requirements. We offer a variety of service plans that are scheduled to meet your needs and designed to fit your budget.



# Table of Contents

<b>1</b>	<b>Safety Instructions</b>	<b>3</b>
1.1	Intended use .....	3
1.2	Misuse .....	3
1.3	Safety Precautions .....	3
1.4	Specific Conditions of Use .....	3
<b>2</b>	<b>Introduction</b>	<b>4</b>
2.1	Assortment .....	4
2.2	About this Manual .....	4
2.3	Further Documents .....	4
<b>3</b>	<b>Installation and Operation</b>	<b>5</b>
3.1	Connecting the Weighing Platform to the Weighing Terminal .....	5
3.2	Leveling .....	6
3.3	Equipotential Bonding .....	6
3.4	Checking the Weighing Platform .....	6
3.5	Operating the Weighing Platform .....	7
3.6	Installation, Configuration, Service and Repair .....	7
<b>4</b>	<b>Maintenance</b>	<b>8</b>
4.1	Notes on Cleaning .....	8
4.2	Subsequent Treatment .....	8
4.3	Disposal .....	8
<b>5</b>	<b>Repair</b>	<b>9</b>
<b>6</b>	<b>Technical Data and Operating Limits</b>	<b>10</b>
6.1	Maximum Verification Scale Interval .....	10
6.2	Maximum Permissible Load .....	10
6.3	Technical Data of Load Cell .....	11
6.3.1	Ex Approval .....	11
6.3.2	Load Cell Compliance Standard .....	11
6.4	Dimensions .....	13
6.5	Information about Capacity Preload .....	14
6.5.1	Preload Table in Kilogram .....	15
6.5.2	Preload Table in Pound .....	17
6.6	Accessories .....	19
<b>7</b>	<b>Mounting Possibilities</b>	<b>20</b>
<b>8</b>	<b>Appendix</b>	<b>21</b>
8.1	Label .....	21
8.2	Control Drawing .....	22
8.3	Installation Drawing .....	23





# 1 Safety Instructions

## 1.1 Intended use

PBA639(x/xx) weighing platforms are part of a modular weighing system consisting of a METTLER TOLEDO weighing terminal as indicator and at least one weighing platform.

- Use the weighing platform only for weighing in accordance with this manual.
- The weighing platform is intended for indoor use only.
- Only the PBA639x/xx weighing platform is suitable for use in hazardous environment as specified below.
- Any other type of use is considered as not intended.

### Legal metrology

- For use in legal metrology, only use approved weighing platforms.
- When using in legal metrology, the operating company is responsible for observing all national weights & measurements requirements.
- Please contact the METTLER TOLEDO Service organization for questions related to the use in legal for trade applications.

## 1.2 Misuse

- Do not use the weighing terminal other than for weighing operations.
- Do not use the weighing platform in another environment than specified in the --- MISSING LINK ---.
- Do not modify the weighing platform.
- Do not use the weighing terminal beyond the limits of the technical specifications.
- Do not use the weighing platform for storing goods.
- Avoid falling goods on the weighing platform.

## 1.3 Safety Precautions

- Only personnel trained and qualified by METTLER TOLEDO may install and maintain the weighing platform.
- Be careful when transporting or lifting heavy devices.
- Always disconnect the weighing platform from the power source before installing, servicing, cleaning or performing maintenance.
- The connection cable may not be disconnected from the weighing terminal while energized.
- Make sure the weighing platform has reached room temperature before switching on the power supply.
- The explosion-protected weighing platforms PBA639x/xx are approved for operation in the following hazardous areas:
  - ATEX/IECEx Category 2, Category 3, gas/dust (Zone 1/21, Zone 2/22)
  - cFMus, Class I,II,III, Div. 1, Div. 2
- There is an increased risk of injury and damage when the weighing platforms are used in hazardous areas! Special care must be taken when working in such areas.
- In case of the PBA639x/xx weighing platform, only use cable glands that are suitable and approved for hazardous areas for inserting the weighing cell cable into the weighing terminal.
- Explosion-protected weighing platforms may only be used in hazardous areas in conjunction with weighing terminals with the appropriate approval and interface specification.

## 1.4 Specific Conditions of Use

- In an explosive atmosphere caused by air/dust moisture, the loose ends of the cable shall be connected outside the hazardous or in a suitable enclosure with a degree of protection of at least IP6X in accordance with IEC/EN 60529.

## 2 Introduction

### 2.1 Assortment

This manual focuses on the product series PBA639(x/xx).

The PBA639(x/xx) series offer a variety of weighing platforms to fit your requirements. It is approvable and offers various sizes and capacities

Type	Load Plate Material	Scale Frame Material	Load Cell Design	Environment IP Protection	Hazardous Approval
PBA639	Stainless steel	Stainless steel	Stainless steel,	Dry, wet,	-
PBA639x	AISI304, optional /	AISI304	hermetically sealed	IP68/IP69K	Zone 1/21, Div 1
PBA639xx	Stainless steel AISI316L, optional / Stainless steel AISI316L, open platter, optional				Zone 2/22, Div 2

### 2.2 About this Manual



This manual contains all information for the operator of the product.

- Read this manual carefully before use.
- Keep this manual for future reference.
- Pass this manual to any future owner or user of the product.

### 2.3 Further Documents

In addition to this manual you can download the following documents from ► [www.mt.com](http://www.mt.com):

- Brochure
- Installation information (for trained personnel under the control of the operating company)
- Type approval documents

#### Certificate Download

US, Canada, ATEX, UKEX and IECEx certificates can be downloaded from  
► <https://www.mt.com/us/en/home/search/compliance.html/compliance/>.

## 3 Installation and Operation

### 3.1 Connecting the Weighing Platform to the Weighing Terminal

The PBA639(x/xx) weighing platforms are designed for use with analog METTLER TOLEDO weighing terminals.

- 1 Insert the weighing platform cable through the cable gland into the weighing terminal.
- 2 Connect the weighing platform cable to the terminal strip of the weighing terminal according to the following table.

Signal	Wire Color	Connector
SIG+	White	
SIG-	Red	
EXC+	Green	
EXC-	Black	
SEN+	Yellow	
SEN-	Blue	



#### **WARNING**

The cable shield must be grounded.

#### Safety Precautions for Connections

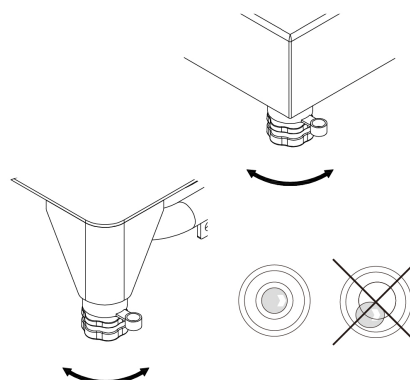
- When connecting the weighing platform in hazardous area, strictly follow the requirements as stated in control drawing available in [Appendix ▶ Page 21].
- Please check the special conditions for safe use in the drawings and the certificates in [Appendix ▶ Page 21].
- The cable shield is connected to the load cell spring element (the body of the load cell). Please consider the appropriate connection between load cell and terminal (or junction box) based on the installation scenario.
- The resistance between all safety ground connections and the system grounding electrode must not exceed 1 ohm.
- Installation shall be in accordance with relevant electrical installation standards.
- Not following these instructions will jeopardize the explosion safety.

## 3.2 Leveling

Only a weighing platform which is aligned exactly horizontally supplies exact weighing results. The weighing platform has to be leveled during the initial installation and whenever its location is changed.

- 1 Turn the adjustable feet of the weighing platform until the air bubble of the spirit level is positioned in the inner circle.
- 2 Tighten the lock nuts of the adjustable feet.

👉 Scan the QR code to watch the video

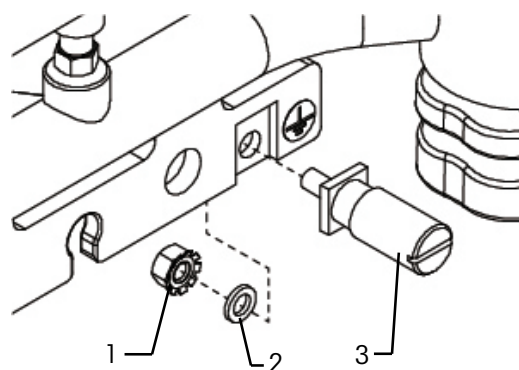


## 3.3 Equipotential Bonding

The equipotential bonding for the PBA639x/xx weighing platforms is mounted in the factory. The wiring must be installed by a professional electrician on customer site. METTLER TOLEDO Service only has a monitoring and consulting function here. Connect the equipotential bonding (PA) of all devices (weighing platform and weighing terminal) in accordance with the country-specific regulations and standards. In the process, make sure that all device housings are connected to the same potential via the PA terminal.

### Note

The equipment is protected against electric shock acc. IEC60950, class II.



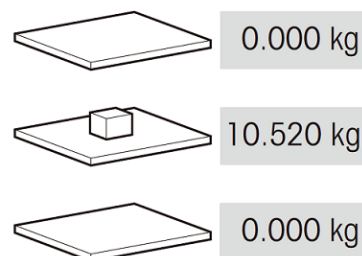
- 1 - Hexagonal lock nut, M4 KEPS
- 2 - Washer
- 3 - Equipotential bonding terminal, torque 3.5 Nm

Order number of the equipotential bonding kit 72237321

## 3.4 Checking the Weighing Platform

### Function Check

- 1 Make sure that the weighing platform is connected to a weighing terminal and that the weighing terminal is switched on.
- 2 Make sure that the weighing platform is unloaded and the display of the weighing terminal shows 0.
- 3 Load the weighing platform. The weighing terminal must show a value different from 0.
- 4 Unload the weighing platform. The weighing terminal must return to 0.



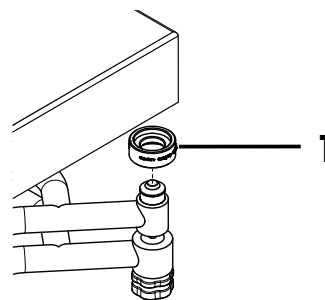
### Verification Test

For a verification test refer to the user manual of the connected weighing terminal. If the verification seal is broken, verification is no longer valid.

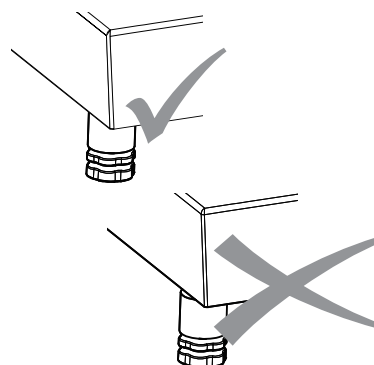
### 3.5 Operating the Weighing Platform

For best weighing results, observe the following:

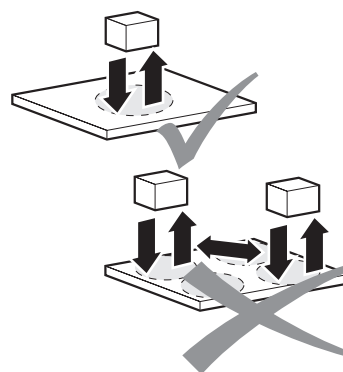
- If the weighing platform is delivered with transportation protection pads (1) under the load plate, remove the transportation protection pads before putting it into use.



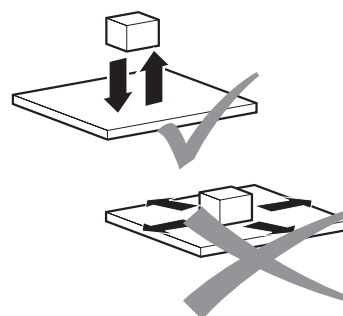
- Ensure the load plate is correctly placed.



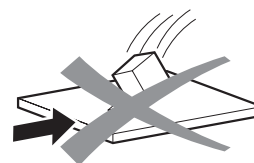
- To achieve best weighing results place the weighing sample always on the same position on the weighing platform.



- Avoid abrasive and wear processes.



- Avoid falling loads, shocks and lateral impacts.



### 3.6 Installation, Configuration, Service and Repair

For installation, configuration, service and repair of the weighing platforms call the METTLER TOLEDO Service.

## 4 Maintenance

### 4.1 Notes on Cleaning

---

#### Note

##### Damage to the weighing platform due to incorrect use of cleaning agents.

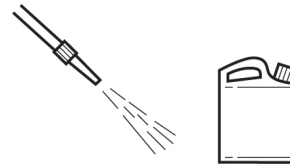
- Only use disinfectants and cleaning agents in accordance with their manufacturer's instructions.
  - Do not use highly acidic, highly alkaline or highly chlorinated cleaning agents. Avoid substances with a high or low pH value since increased danger of corrosion otherwise exists.
  - Be particularly careful when cleaning the load cell.
- 

#### Cleaning Procedure

- Remove dirt and deposits at regular intervals from the outside and inside of the weighing platform.
  - ➔ The procedure depends both on the type of surface and on the environmental conditions prevailing at the installation location.

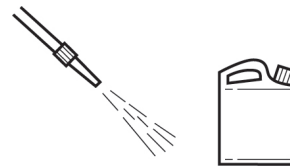
#### Cleaning in a wet environment (stainless steel versions)

- Use a water jet up to 80 °C / 176 °F and max. 80 bars, minimum distance 40 cm / 16".
- Use household cleaning agents.



#### Cleaning in a corrosive environment (stainless steel versions)

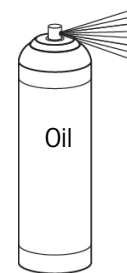
- Use a water jet.
  - Inner cleaning**, load cell, load plate opened: up to 60 °C / 140 °F and max. 2 bars, minimum distance 40 cm / 16".
  - Outer cleaning**, load plate closed: to 80 °C / 176 °F and max. 80 bars, minimum distance 40 cm / 16".
- Remove corrosive substances at regular intervals.
- Only use disinfectants and cleaning agents in accordance with their manufacturer's specifications and instructions



### 4.2 Subsequent Treatment

In order to protect the scale, carry out the following subsequent treatment:

- Rinse the scale with clear water and remove cleaning agent completely.
- Dry off the scale with a lint-free cloth.
- With stainless steel scales, treat the inside and outside with an oil suitable for foodstuffs.



### 4.3 Disposal

In conformance with the European Directive 2012/19/EU on Waste Electrical and Electronic Equipment (WEEE) this device may not be disposed of in domestic waste. This also applies to countries outside the EU, per their specific requirements.

Please dispose of this product in accordance with local regulations at the collecting point specified for electrical and electronic equipment. If you have any questions, please contact the responsible authority or the distributor from which you purchased this device. Should this device be passed on to other parties, the content of this regulation must also be related.



## 5 Repair

This equipment is certified for use in hazardous locations, therefore no modifications are allowed. Repairs must only be performed by personnel specifically trained for repairs of this equipment.

## 6 Technical Data and Operating Limits

### 6.1 Maximum Verification Scale Interval

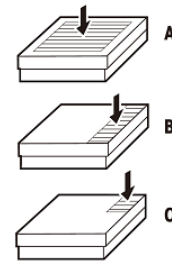
Max. verification scale interval [e] / OIML	Capacity							
	3 kg	6 kg	15 kg	30 kg	60 kg	150 kg	300 kg	600 kg
2 x 3000e MR	-	3 / 0.001	6 / 0.002	15 / 0.005	30 / 0.01	60 / 0.02	150 / 0.05	300 / 0.1
Max / e [kg]	-	6 / 0.002	15 / 0.005	30 / 0.01	60 / 0.02	150 / 0.05	300 / 0.1	600 / 0.2

Max. verification scale interval [d] / NTEP	Capacity							
	-	10 lb	25 lb	50 lb	100 lb	250 lb	500 lb	1000 lb
1 x 5000d Max / d [lb]	-	10 / 0.002	25 / 0.005	50 / 0.01	100 / 0.02	250 / 0.05	500 / 0.1	1000 / 0.2

### 6.2 Maximum Permissible Load

All weighing platforms are equipped with an overload protection. With the robust scale design you can occasionally exceed the rated capacity of the platform without damage. The maximum static safe load must never be exceeded.

- Observe the following operation limits.



Model	A - Central Load	B - Side Load	C - Corner Load
PBA639(x/xx)-QA	50 kg / 110 lb	35 kg / 77 lb	20 kg / 44 lb
PBA639(x/xx)-A	50 kg / 110 lb	35 kg / 77 lb	20 kg / 44 lb
PBA639(x/xx)-QB	120 kg / 265 lb	80 kg / 176 lb	40 kg / 88 lb
PBA639(x/xx)-BB	120 kg / 265 lb	80 kg / 176 lb	40 kg / 88 lb
PBA639(x/xx)-B	220 kg / 485 lb	150 kg / 331 lb	80 kg / 176 lb
PBA639(x/xx)-BC	450 kg / 992 lb	350 kg / 772 lb	180 kg / 397 lb
PBA639(x/xx)-CC	750 kg / 1653 lb	400 kg / 882 lb	200 kg / 440 lb



#### **WARNING**

**Avoid falling loads, shock loads as well as impacts from the side.**



### 6.3 Technical Data of Load Cell

Rated Output	mV/V	1.8 ± 0.2
Input Resistance	Ω	384 ± 15
Output Resistance	Ω	350 ± 4
Recommended Voltage	V (DC / AC)	5 - 15
Max. Excited Voltage	V (DC / AC)	20
Cable Sheath	-	PVC
IP Rating	-	IP68/IP69K

#### 6.3.1 Ex Approval

This section covers only the Ex-relevant aspects of the product.

The Load Cell SLP84x(x=6,7,8) has been granted with:

ATEX Certificate	FM21ATEX0003X, FM21ATEX0025X
UK Certificate	FM21UKEX0079X, FM21UKEX0080X
IECEX Certificate	IECEX FMG21.0003X
US Certificate	FM21US0005X
Canadian Certificate	FM21CA0002X

The certificates listed above and the related installation drawings please refer to [Appendix ▶ Page 21].

#### 6.3.2 Load Cell Compliance Standard

##### US Standards

Title	Number	Issue Date
Electrical Equipment for Use in Hazardous (Classified) Locations – General Requirements	FM Class 3600	2018
Intrinsically Safe Apparatus and Associated Apparatus for Use in Class I, II, and III, Division 1, Hazardous (Classified) Locations	FM Class 3610	2021
Nonincendive Electrical Equipment for Use in Class I and II, Division 2, and Class III, Divisions 1 and 2, Hazardous (Classified) Locations	FM Class 3611	2021
Electrical Equipment for Measurement, Control and Laboratory Use	FM Class 3810	2021
Explosive atmospheres - Part 0: Equipment - General requirements	ANSI/UL 60079-0	2019
Explosive atmospheres – Part 11: Equipment protection by intrinsic safety "i"	ANSI/ISA 60079-11	2014
Nonincendive electrical equipment for use in Class I and II, Division 2 and Class III, Divisions 1 and 2 hazardous (classified) locations	ANSI/UL 121201	2017
Safety Requirements for Electrical Equipment for Measurement, Control, and Laboratory Use – Part 1: General Requirements	ANSI/UL 61010-1	2012
Degrees of Protection Provided by Enclosures (IP Code)	ANSI/IEC 60529	2020

##### Canadian Standards

Title	Number	Issue Date
Non-Incendive Electrical Equipment for use in Class I, Division 2 Hazardous Locations	CSA C22.2 No. 213	2017
Explosive atmospheres - Part 0: Equipment - General requirements	CAN/CSA-C22.2 No. 60079-0	2019
Explosive atmospheres - Part 11: Equipment protection by intrinsic safety "i"	CAN/CSA-C22.2 No. 60079-11	2014
Explosive atmospheres - Part 7: Equipment protection by increased safety "e"	CAN/CSA-C22.2 No. 60079-7	2018
Explosive atmospheres - Part 31: Equipment dust ignition protection by enclosure "t"	CAN/CSA-C22.2 No. 60079-31	2015

Title	Number	Issue Date
Safety Requirements for Electrical Equipment for Measurement, Control, and Laboratory Use – Part 1: General Requirements	CSA C22.2 No. 61010-1	2012
Degrees of Protection Provided by Enclosures (IP Code)	CSA C22.2 No. 60529	2016

### IECEx Standards

Title	Number	Issue Date
Explosive atmospheres - Part 0: Equipment - General requirements	IEC 60079-0	2017
Explosive atmospheres - Part 11: Equipment protection by intrinsic safety "i"	IEC 60079-11	2011
Explosive atmospheres - Part 7: Equipment protection by increased safety "e"	IEC 60079-7	2017
Explosive atmospheres - Part 31: Equipment dust ignition protection by enclosure "t"	IEC 60079-31	2013
Degrees of Protection Provided by Enclosures (IP Code)	IEC 60529	2013

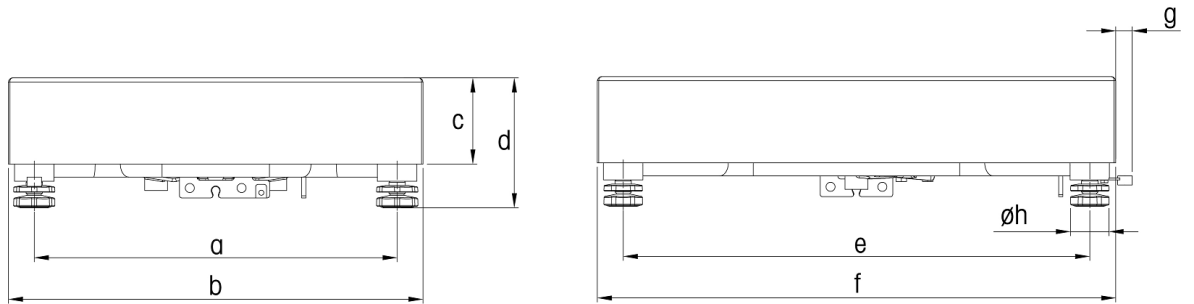
### ATEX Standards

Title	Number	Issue Date
Explosive atmospheres - Part 0: Equipment - General requirements	EN IEC 60079-0	2018
Explosive atmospheres - Part 11: Equipment protection by intrinsic safety "i"	EN 60079-11	2012
Explosive atmospheres - Part 7: Equipment protection by increased safety "e"	EN 60079-7	2015 +A1:2018
Explosive atmospheres - Part 31: Equipment dust ignition protection by enclosure "t"	EN 60079-31	2014
Degrees of Protection Provided by Enclosures (IP Code)	EN 60529	1991 + A1:2000 + A2:2013

### UKEX Standards

Title	Number	Issue Date
Explosive atmospheres - Part 0: Equipment - General requirements	EN IEC 60079-0	2018
Explosive atmospheres - Part 11: Equipment protection by intrinsic safety "i"	EN 60079-11	2012
Explosive atmospheres - Part 7: Equipment protection by increased safety "e"	EN 60079-7	2015 +A1:2018
Explosive atmospheres - Part 31: Equipment dust ignition protection by enclosure "t"	EN 60079-31	2014
Degrees of Protection Provided by Enclosures (IP Code)	EN 60529	1991 + A1:2000 + A2:2013

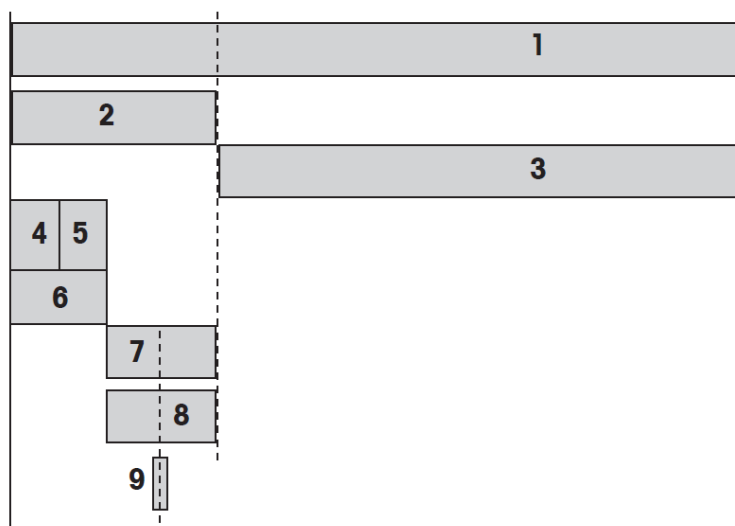
## 6.4 Dimensions



Dimensions		a	b	c	d *	e	f	g	h
PBA639(x/xx)-QA	mm	178	228	70	110	178	228	21	40
	inch	7.01	8.98	2.76	4.33	7.01	8.98	0.83	1.57
PBA639(x/xx)-A	mm	190	240	70	110	250	300	21	40
	inch	7.48	9.45	2.76	4.33	9.84	11.81	0.83	1.57
PBA639(x/xx)-QB	mm	255	305	70	110	255	305	21	40
	inch	10.04	12.01	2.76	4.33	10.04	12.01	0.83	1.57
PBA639(x/xx)-BB	mm	250	300	70	110	350	400	21	40
	inch	9.84	11.81	2.76	4.33	13.78	15.75	0.83	1.57
PBA639(x/xx)-B	mm	350	400	83	126	450	500	21	40
	inch	13.78	15.75	3.27	4.96	17.72	19.69	0.83	1.57
PBA639(x/xx)-BC	mm	450	500	90	134	600	650	21	40
	inch	17.72	19.69	3.54	5.28	23.62	25.59	0.83	1.57
PBA639(x/xx)-CC	mm	550	600	90	134	750	800	21	40
	inch	21.65	23.62	3.54	5.28	29.53	31.50	0.83	1.57
PBA639(x/xx)-CC600	mm	550	600	94	140.5	750	800	21	40
	inch	21.65	23.62	3.70	5.53	29.53	31.50	0.83	1.57

\* : d= minimum platform height. With the adjustable scale feet, the platform height can increase by 5 mm / 0.20 inch at maximum.

## 6.5 Information about Capacity Preload



<b>1</b>	Maximum load range of the load cell ( $E_{max}$ )
<b>2</b>	Maximum preload = Maximum load range <b>1</b> – Maximum load <b>3</b>
<b>3</b>	Maximum load = Maximum load range <b>1</b> – Maximum preload <b>2</b>
<b>4</b>	Preload top section
<b>5</b>	Preload weighing pan
<b>6</b>	Preload ex works = Preload top section <b>4</b> + Preload weighing pan <b>5</b>
<b>7</b>	Mechanical preload reserve = Maximum preload <b>2</b> – Preload ex works <b>6</b>
<b>8</b>	The zero-set range (switching on) can be set. The zero-set range must lie within the maximum preload. The zero-set range may amount to a max. of 18 % of the maximum load.
<b>9</b>	Zero-set range $\pm 2$ % of the maximum load

## 6.5.1 Preload Table in Kilogram

### PBA639(x/xx) with Standard Platter (304 / 316L)

Type	Dimensions [mm]	Max. load (3)	Preload top section (4)	Preload weighing pan (5)	Preload ex works (6)	Mech. preload reserve (7)	Zero set range (8)	Max. load range (1)
PBA639(x/xx)-QA3	228x228	3	0.71	1.90	2.61	5.39	0.54	11
PBA639(x/xx)-QA6	228x228	6	0.71	1.90	2.61	2.39	1.08	11
PBA639(x/xx)-A3	240x300	3	0.80	2.40	3.20	4.80	0.54	11
PBA639(x/xx)-A6	240x300	6	0.80	2.40	3.20	1.80	1.08	11
PBA639(x/xx)-A15	240x300	15	0.80	2.40	3.20	3.80	2.70	22
PBA639(x/xx)-QB15	305x305	15	1.42	2.80	4.22	2.78	2.70	22
PBA639(x/xx)-QB30	305x305	30	1.42	2.80	4.22	25.78	5.40	60
PBA639(x/xx)-QB60	305x305	60	1.42	2.80	4.22	35.78	10.80	100
PBA639(x/xx)-BB30	300x400	30	2.00	3.50	5.50	24.50	5.40	60
PBA639(x/xx)-BB60	300x400	60	2.00	3.50	5.50	34.50	10.80	100
PBA639(x/xx)-B30	400x500	30	3.99	5.50	9.49	20.51	5.40	60
PBA639(x/xx)-B60	400x500	60	3.99	5.50	9.49	30.51	10.80	100
PBA639(x/xx)-B150	400x500	150	3.99	5.50	9.49	40.51	27.00	200
PBA639(x/xx)-BC60	500x650	60	6.93	8.40	15.33	24.67	10.80	100
PBA639(x/xx)-BC150	500x650	150	6.93	8.40	15.33	84.67	27.00	250
PBA639(x/xx)-BC300	500x650	300	6.93	8.40	15.33	184.67	54.00	500
PBA639(x/xx)-CC60	600x800	60	10.53	11.50	22.03	17.97	10.80	100
PBA639(x/xx)-CC150	600x800	150	10.53	11.50	22.03	77.97	27.00	250
PBA639(x/xx)-CC300	600x800	300	10.53	11.50	22.03	177.97	54.00	500
PBA639(x/xx)-CC600	600x800	600	10.53	14.70	25.23	124.77	108.00	750

### PBA639(x/xx) with Open Platter (304 / 316L)

Type	Dimensions [mm]	Max. load (3)	Preload top section (4)	Preload weighing pan (5)	Preload ex works (6)	Mech. preload reserve (7)	Zero set range (8)	Max. load range (1)
PBA639(x/xx)-QA3	228x228	3	0.71	1.20	1.91	6.09	0.54	11
PBA639(x/xx)-QA6	228x228	6	0.71	1.20	1.91	3.09	1.08	11
PBA639(x/xx)-A3	240x300	3	0.80	1.50	2.30	5.70	0.54	11
PBA639(x/xx)-A6	240x300	6	0.80	1.50	2.30	2.70	1.08	11
PBA639(x/xx)-A15	240x300	15	0.80	1.50	2.30	4.70	2.70	22
PBA639(x/xx)-QB15	305x305	15	1.42	1.80	3.22	3.78	2.70	22
PBA639(x/xx)-QB30	305x305	30	1.42	1.80	3.22	26.78	5.40	60
PBA639(x/xx)-QB60	305x305	60	1.42	1.80	3.22	36.78	10.80	100
PBA639(x/xx)-BB30	300x400	30	2.00	2.30	4.30	25.70	5.40	60
PBA639(x/xx)-BB60	300x400	60	2.00	2.30	4.30	35.70	10.80	100
PBA639(x/xx)-B30	400x500	30	3.99	5.60	9.59	20.41	5.40	60
PBA639(x/xx)-B60	400x500	60	3.99	5.60	9.59	30.41	10.80	100
PBA639(x/xx)-B150	400x500	150	3.99	5.60	9.59	40.41	27.00	200

**PBA639(x/xx) with No Platter**

Type	Dimensions [mm]	Max. load (3)	Preload top section (4)	Preload weighing pan (5)	Preload ex works (6)	Mech. preload reserve (7)	Zero set range (8)	Max. load range (1)
PBA639(x/xx)-QA3	228x228	3	0.71	0	0.71	7.286	0.54	11
PBA639(x/xx)-QA6	228x228	6	0.71	0	0.71	4.29	1.08	11
PBA639(x/xx)-A3	240x300	3	0.80	0	0.80	7.20	0.54	11
PBA639(x/xx)-A6	240x300	6	0.80	0	0.80	4.20	1.08	11
PBA639(x/xx)-A15	240x300	15	0.80	0	0.80	6.20	2.70	22
PBA639(x/xx)-QB15	305x305	15	1.42	0	1.42	5.58	2.70	22
PBA639(x/xx)-QB30	305x305	30	1.42	0	1.42	28.58	5.40	60
PBA639(x/xx)-QB60	305x305	60	1.42	0	1.42	38.58	10.80	100
PBA639(x/xx)-BB30	300x400	30	2.00	0	2.00	28.00	5.40	60
PBA639(x/xx)-BB60	300x400	60	2.00	0	2.00	38.00	10.80	100
PBA639(x/xx)-B30	400x500	30	3.99	0	3.99	26.01	5.40	60
PBA639(x/xx)-B60	400x500	60	3.99	0	3.99	36.01	10.80	100
PBA639(x/xx)-B150	400x500	150	3.99	0	3.99	46.01	27.00	200
PBA639(x/xx)-BC60	500x650	60	6.93	0	6.93	33.07	10.80	100
PBA639(x/xx)-BC150	500x650	150	6.93	0	6.93	93.07	27.00	250
PBA639(x/xx)-BC300	500x650	300	6.93	0	6.93	193.07	54.00	500
PBA639(x/xx)-CC60	600x800	60	10.53	0	10.53	29.47	10.80	100
PBA639(x/xx)-CC150	600x800	150	10.53	0	10.53	89.47	27.00	250
PBA639(x/xx)-CC300	600x800	300	10.53	0	10.53	189.47	54.00	500
PBA639(x/xx)-CC600	600x800	600	10.53	0	10.53	139.47	108.00	750

## 6.5.2 Preload Table in Pound

### PBA639(x/xx) with Standard Platter (304 / 316L)

Type	Dimensions [inch]	Max. load (3)	Preload top section (4)	Preload weighing pan (5)	Preload ex works (6)	Mech. preload reserve (7)	Zero set range (8)	Max. load range (1)
PBA639(x/xx)-QA6	9x9	10	1.57	4.19	5.76	8.49	1.8	24
PBA639(x/xx)-A6	9.5x11.8	10	1.75	5.29	7.05	7.20	1.8	24
PBA639(x/xx)-A15	9.5x11.8	25	1.75	5.29	7.05	16.46	4.5	49
PBA639(x/xx)-QB15	12x12	25	3.13	6.17	9.30	14.20	4.5	49
PBA639(x/xx)-QB30	12x12	50	3.13	6.17	9.30	72.98	9.0	132
PBA639(x/xx)-QB60	12x12	100	3.13	6.17	9.30	111.16	18.0	220
PBA639(x/xx)-BB30	11.8x15.7	50	4.41	7.72	12.12	70.15	9.0	132
PBA639(x/xx)-BB60	11.8x15.7	100	4.41	7.72	12.12	108.34	18.0	220
PBA639(x/xx)-B30	15.7x19.7	50	8.79	12.13	20.92	61.36	9.0	132
PBA639(x/xx)-B60	15.7x19.7	100	8.79	12.13	20.92	99.55	18.0	220
PBA639(x/xx)-B150	15.7x19.7	250	8.79	12.13	20.92	170.01	45.0	441
PBA639(x/xx)-BC60	19.7x25.6	100	15.27	18.52	33.79	86.67	18.0	220
PBA639(x/xx)-BC150	19.7x25.6	250	15.27	18.52	33.79	267.37	45.0	551
PBA639(x/xx)-BC300	19.7x25.6	500	15.27	18.52	33.79	568.52	90.0	1102
PBA639(x/xx)-CC60	23.6x29.5	100	23.21	25.35	48.56	71.90	18.0	220
PBA639(x/xx)-CC150	23.6x29.5	250	23.21	25.35	48.56	252.60	45.0	551
PBA639(x/xx)-CC300	23.6x29.5	500	23.21	25.35	48.56	553.75	90.0	1102
PBA639(x/xx)-CC600	23.6x29.5	1000	23.21	32.41	55.61	597.85	180.0	1653

### PBA639(x/xx) with Open Platter (304 / 316L)

Type	Dimensions [inch]	Max. load (3)	Preload top section (4)	Preload weighing pan (5)	Preload ex works (6)	Mech. preload reserve (7)	Zero set range (8)	Max. load range (1)
PBA639(x/xx)-QA6	9x9	10	1.57	2.65	4.22	10.03	1.8	24
PBA639(x/xx)-A6	9.5x11.8	10	1.75	3.31	5.06	9.19	1.8	24
PBA639(x/xx)-A15	9.5x11.8	25	1.75	3.31	5.06	18.44	4.5	49
PBA639(x/xx)-QB15	12x12	25	3.13	3.97	7.10	16.41	4.5	49
PBA639(x/xx)-QB30	12x12	50	3.13	3.97	7.10	75.18	9.0	132
PBA639(x/xx)-QB60	12x12	100	3.13	3.97	7.10	113.37	18.0	220
PBA639(x/xx)-BB30	11.8x15.7	50	4.41	5.07	9.48	72.80	9.0	132
PBA639(x/xx)-BB60	11.8x15.7	100	4.41	5.07	9.48	110.98	18.0	220
PBA639(x/xx)-B30	15.7x19.7	50	8.79	12.35	21.14	61.14	9.0	132
PBA639(x/xx)-B60	15.7x19.7	100	8.79	12.35	21.14	99.33	18.0	220
PBA639(x/xx)-B150	15.7x19.7	250	8.79	12.35	21.14	169.79	45.0	441

**PBA639(x/xx) with No Platter**

Type	Dimensions [inch]	Max. load (3)	Preload top section (4)	Preload weighing pan (5)	Preload ex works (6)	Mech. preload reserve (7)	Zero set range (8)	Max. load range (1)
PBA639(x/xx)-QA6	9x9	10	1.57	0.00	1.57	12.68	1.8	24
PBA639(x/xx)-A6	9.5x11.8	10	1.75	0.00	1.75	12.50	1.8	24
PBA639(x/xx)-A15	9.5x11.8	25	1.75	0.00	1.75	21.75	4.5	49
PBA639(x/xx)-QB15	12x12	25	3.13	0.00	3.13	20.37	4.5	49
PBA639(x/xx)-QB30	12x12	50	3.13	0.00	3.13	79.15	9.0	132
PBA639(x/xx)-QB60	12x12	100	3.13	0.00	3.13	117.33	18.0	220
PBA639(x/xx)-BB30	11.8x15.7	50	4.41	0.00	4.41	77.87	9.0	132
PBA639(x/xx)-BB60	11.8x15.7	100	4.41	0.00	4.41	116.06	18.0	220
PBA639(x/xx)-B30	15.7x19.7	50	8.79	0.00	8.79	73.49	9.0	132
PBA639(x/xx)-B60	15.7x19.7	100	8.79	0.00	8.79	111.67	18.0	220
PBA639(x/xx)-B150	15.7x19.7	250	8.79	0.00	8.79	182.13	45.0	441
PBA639(x/xx)-BC60	19.7x25.6	100	15.27	0.00	15.27	105.19	18.0	220
PBA639(x/xx)-BC150	19.7x25.6	250	15.27	0.00	15.27	285.89	45.0	551
PBA639(x/xx)-BC300	19.7x25.6	500	15.27	0.00	15.27	587.04	90.0	1102
PBA639(x/xx)-CC60	23.6x29.5	100	23.21	0.00	23.21	97.26	18.0	220
PBA639(x/xx)-CC150	23.6x29.5	250	23.21	0.00	23.21	277.95	45.0	551
PBA639(x/xx)-CC300	23.6x29.5	500	23.21	0.00	23.21	579.11	90.0	1102
PBA639(x/xx)-CC600	23.6x29.5	1000	23.21	0.00	23.21	630.26	180.0	1653



## 6.6 Accessories

### Column

Article #	Designation	Description
30676281	Column open 330 mm / 13"	Fits for platform sizes
30676282	Column open 660 mm / 26"	Fits for all platform size
30676283	Column open 900 mm / 35.4"	Fits for all platform sizes larger than A-Size
30676284	Column closed 330 mm / 13"	Fits for platform sizes
30676285	Column closed 660 mm / 26"	Fits for all platform size
30676286	Column closed 900 mm / 35.4"	Fits for all platform sizes larger than A-Size

### Stainless Steel Cart

Article #	Designation	Description
72225939	Stainless steel cart BC	Fits for 500 × 650 mm platform
72225940	Stainless steel cart CC	Fits for 600 × 800 mm platform

### Roller Track

Article #	Designation	Description
30253326	Roller track 400 × 500 mm / 15.7" × 19.7" stainless steel	Fits for 400 x 500 mm platform. Roll to short side of platform
30253328	Roller track 500 × 650 mm / 19.7" × 25.6" stainless steel	Fits for 500 x 650 mm platform. Roll to short side of platform
30253330	Roller track 600 × 800 mm / 23.6" × 31.5" stainless steel	Fits for 600 x 800 mm platform. Roll to short side of platform
30253327	Roller track 400 × 500 mm / 15.7" × 19.7" stainless steel	Fits for 400 x 500 mm platform. Roll to long side of platform
30253329	Roller track 500 × 650 mm / 19.7" × 25.6" stainless steel	Fits for 500 x 650 mm platform. Roll to long side of platform
30253331	Roller track 600 × 800 mm / 23.6" × 31.5" stainless steel	Fits for 600 x 800 mm platform. Roll to short side of platform
30640393	Roller track 400 × 500 mm / 15.7" × 19.7" stainless steel	Fits for hazardous area
30640394	Roller track 500 × 650 mm / 19.7" × 25.6" stainless steel	Fits for hazardous area
30640395	Roller track 600 × 800 mm / 23.6" × 31.5" stainless steel	Fits for hazardous area

### Front Mount Bracket

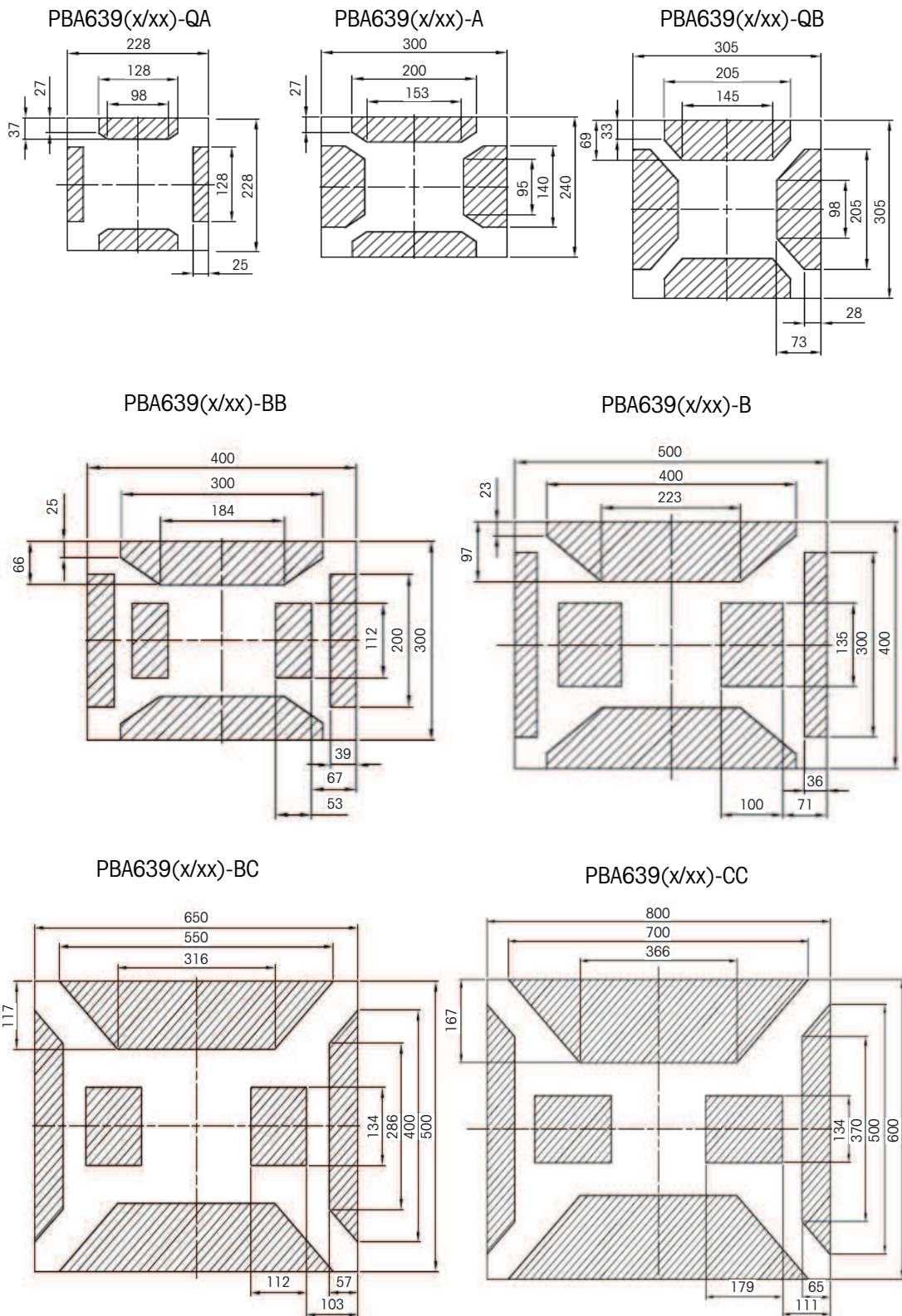
Article #	Designation	Description
30676290	Front mount bracket	Fit for ICS4_9 front mount
30676291	Front mount bracket	Fit for ICS689 front mount

## 7 Mounting Possibilities

The PBA639(x/xx) supports mounting on stable device. In case drilling on the weighing platform is required, follow the drilling pattern below.



**NOTE: The shadow areas are where drilling on the weighing platform is allowed.**



Measured in [mm]



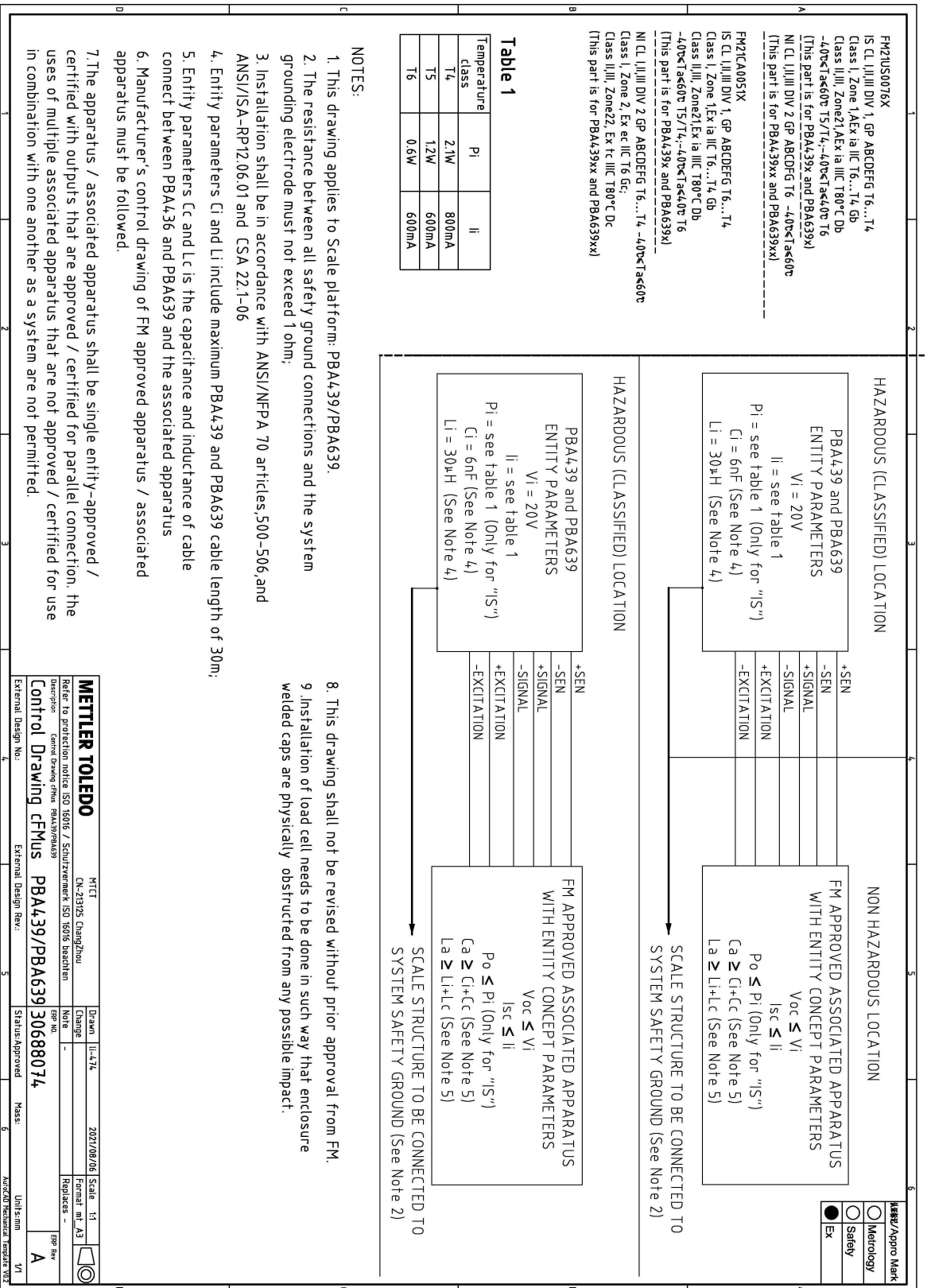
## 8 Appendix

### 8.1 Label

<p>IS CL I,II,III DIV 1, GP ABCDEFG T6...T4          Class I, Zone 1, AEx ia IIC T6...T4 Gb          Class II,III, Zone21, AEx ia IIIC T80°C Db          -40°C&lt;Ta&lt;60°C T5/T4; -40°C&lt;Ta&lt;40°C T6          FM21US0076X</p>			<p>II 2G Ex ia IIC T6...T4 Gb          II 2D Ex ia IIIC T80°C Db          -40°C&lt;Ta&lt;60°C T5/T4          -40°C&lt;Ta&lt;40°C T6</p>
-----			
<p>IS CL I,II,III DIV 1, GP ABCDEFG T6...T4          Class I, Zone 1, Ex ia IIC T6...T4 Gb          Class II,III, Zone21, Ex ia IIIC T80°C Db          -40°C&lt;Ta&lt;60°C T5/T4; -40°C&lt;Ta&lt;40°C T6          FM21CA0051X</p>			<p>Entity/NIFW for NonIncendive Field Wiring. Entity parameters are shown in drawing 30688074          Mettler-Toledo GmbH, Im Langacher 44, 8606 Greifensee, Switzerland</p>

<p>NI CL I,II,III DIV 2 GP ABCDEFG T6          -40°C&lt;Ta&lt;60°C          FM21US0076X</p>			<p>II 3G Ex ic IIC T6...T4 Gc          -40°C&lt;Ta&lt;60°C T5/T4          -40°C&lt;Ta&lt;40°C T6</p>
-----			
<p>NI CL I,II,III DIV 2 GP ABCDEFG T6...T4          -40°C&lt;Ta&lt;60°C          Class I, Zone 2, Ex ec IIC T6 Gc;          Class II,III, Zone22, Ex tc IIIC T80°C Dc          FM21CA0051X</p>			<p>II 3G Ex ec IIC T6 Gc U<sub>rated</sub>=20V          II 3D Ex tc IIIC T80°C Dc I<sub>rated</sub>=50mA          -40°C&lt;Ta&lt;60°C</p>
-----			
			<p>Entity/NIFW for NonIncendive Field Wiring. Entity parameters are shown in drawing 30688074          Mettler-Toledo GmbH, Im Langacher 44, 8606 Greifensee, Switzerland</p>

## 8.2 Control Drawing



### 8.3 Installation Drawing

#### Hazardous (Classified) Location

IP67 II 3G Ex ic IIC T6...T4 Gc  
-40°C ≤ T<sub>a</sub> ≤ 60°C T5/T4; -40°C ≤ T<sub>a</sub> ≤ 40°C T6

II 3G Ex ec IIC T6 Gc -40°C ≤ T<sub>a</sub> ≤ 60°C T6  
II 3D Ex tc IIC T80°C Dc  
FM21UKEX0080X  
FM21ATEX0025X IECEX FMG21.0003X

---

II 2G Ex ia IIC T6...T4 Gb  
-40°C ≤ T<sub>a</sub> ≤ 60°C T5/T4; -40°C ≤ T<sub>a</sub> ≤ 40°C T6

II 2D Ex ia IIC T80°C Db  
FM21UKEX0079X  
FM21ATEX0003X IECEX FMG21.0003X

**Approval Mark**

THIS ITEM IS PART OF AGENCY APPROVED PRODUCT

Metrology  
 Safety  
 Ex

DO NOT CHANGE DOCUMENT WITHOUT APPROPRIATE APPROVAL

SLP84x Load Cell

U<sub>i</sub> = 20V  
I<sub>i</sub> = see table 2  
P<sub>i</sub> = see table 2  
C<sub>i</sub> = 6nF  
L<sub>i</sub> = 30uH

Ex Approved Associated Apparatus with Entity Concept Parameters

U<sub>o</sub> ≤ U<sub>i</sub>  
I<sub>o</sub> ≤ I<sub>i</sub>  
P<sub>o</sub> ≤ P<sub>i</sub>  
C<sub>o</sub> ≥ C<sub>c</sub>+C<sub>i</sub>  
L<sub>o</sub> ≥ L<sub>c</sub>+L<sub>i</sub>

Scale structure (attached to load cell) to be connected to system safety ground. See Note.

**NOTES:**

- The resistance between all safety ground connections and the system grounding electrode must not exceed 1ohm.
- Installation shall be in accordance with relevant electrical installation standards (Being shown in Table 1) in hazardous areas (other than mines).
- Entity Parameters C<sub>i</sub> And L<sub>i</sub> Include Maximum Load Cell Cable Length Of 30m
- Entity Parameters C<sub>c</sub> and L<sub>c</sub> is the capacitance and inductance of cable connect between load cell and the associated apparatus.
- In an explosive atmosphere caused by air/dust mixtures, the loose ends of the cable shall be connected outside the hazardous area or in a suitable enclosure with a degree of protection of at least IP6X in accordance with EN 60529.
- For the application of Ex ec, Ex tc: U<sub>rated</sub>=20V, I<sub>rated</sub>=50mA.
- Installation of load cell needs to be done in such way that enclosure welded caps are physically obstructed from any possible impact.
- ⚠** Not following these instructions will jeopardize the explosion safety.
- For the application of Ex ec, The equipment shall only be used in an area of at least pollution degree 2, as defined in IEC 60664-1.

**Table 1**

EN60079-0: 2018	EN60079-14: 2014	EN60079-11: 2012	EN60079-31: 2014
EN61241-14: 2004	EN60079-31: 2013	EN60079-7: 2015	IEC60079-31: 2013
IEC 60079-0-2017	IEC 60079-11-2011	IEC 60079-14-2013	IEC60079-7: 2015

**Table 2**

Temperature class	P <sub>i</sub>	I <sub>i</sub>
T4	2.1W	800mA
T5	1.2W	600mA
T6	0.6W	600mA

Mettler-Toledo GmbH, Im Langacher 44, 8606 Greifensee, Switzerland  
Mettler-Toledo Ltd. 64 Boston Rd. Leicester, LE4 1AW, United Kingdom

D	update drawing status	Wang Jianwen	Liu Yuchun		2021-7-26
C	removed Ex nA of note 6	Wang Jianwen	Liu Yuchun		2021-1-15
REV / CHG	DESCRIPTION	BY	APPVD	AGENCY	E.R. No. DATE
<b>RECORD OF CHANGES</b>					
<b>METTLER TOLEDO</b>		MTCZ	Drawn	Wang JW	2020/05/11
		CN-213022 ChangZhou	Change		Scale 1:1
Refer to protection notice ISO 16016 / Schutzvermerk ISO 16016 beachten		Note	-		Format mt_A4
Description 防爆安装图 SLP84X		ERP NO.			Replaces -
<b>INSTALLATION DRAWING SLP84X ATEX/IECEX</b>			<b>30555321</b>		<b>D</b>
External Design No.: D000644580		External Design Rev.: D		Status: Approved	Mass: Units: mm 1/1

AutoCAD Mechanical Template V0.2



# METTLER TOLEDO Service

Gratulerar till valet av kvaliteten och precisionen hos METTLER TOLEDO. Korrekt användning av din nya utrustning enligt denna bruksanvisning och regelbunden kalibrering och underhåll av vårt fabriksutbildade service-team säkerställer tillförlitlig och exakt drift för att skydda din investering. Kontakta oss för ett serviceavtal skräddarsytt till dina behov och din budget. Mer information finns på ► [www.mt.com/service](http://www.mt.com/service).

Det finns flera viktiga sätt att säkerställa att du maximerar prestandan på din investering:

- 1 **Registrera din produkt:** Du kan registrera produkten på [www.mt.com/productregistration](http://www.mt.com/productregistration) så att vi kan kontakta dig om förbättringar, uppdateringar och viktiga aviseringar gällande din produkt.
- 2 **Kontakta METTLER TOLEDO för service:** Värdet på ett mått är proportionellt till dess exakthet – en våg som inte följer specifikationerna kan försämma kvaliteten, minska nyttan och öka bördan. Service i rätt tid från METTLER TOLEDO säkerställer exaktheten och optimerar klartid och utrustningens livslängd.
  - ➔ **Installation, konfiguration, integration och utbildning:** Våra servicerepresentanter är fabriksutbildade experter för vägningsutrustning. Vi säkerställer att din vägningsutrustning är produktionsklar på ett kostnadseffektivt och tidsenligt sätt och att vår personal är utbildad för framgång.
  - ➔ **Dokumentation för första kalibrering:** Installationsmiljön och applikationskraven är unika för varje industrivåg, så prestandan måste testas och certifieras. Våra kalibreringstjänster och certifikat dokumenterar exakthet för att säkerställa produktionskvalitet och tillhandahålla ett kvalitetssystem med topprestanda.
  - ➔ **Periodiskt kalibreringsunderhåll:** Ett serviceavtal för kalibrering ger ständig tillförsikt i vägningsprocessen och dokumentation för överensstämmelse med kraven. Vi erbjuder en mångfald av serviceplaner som är utformade för att uppfylla dina behov och passa med din budget.





<b>1</b>	<b>Säkerhetsinstruktioner</b>	<b>3</b>
1.1	Avsedd användning .....	3
1.2	Felaktig användning .....	3
1.3	Säkerhetsåtgärder .....	3
1.4	Specifika förhållanden för användning .....	3
<b>2</b>	<b>Inledning</b>	<b>4</b>
2.1	Sortiment .....	4
2.2	Om denna bruksanvisning .....	4
2.3	Ytterligare dokument .....	4
<b>3</b>	<b>Installation och drift</b>	<b>5</b>
3.1	Ansluta vägningsplattformen till vägningsterminalen .....	5
3.2	Nivellering .....	6
3.3	Potentialutjämnning .....	6
3.4	Kontrollera vägningsplattformen .....	6
3.5	Använda vägningsplattformen .....	7
3.6	Installation, konfiguration, service och reparation .....	7
<b>4</b>	<b>Underhåll</b>	<b>8</b>
4.1	Noteringar om rengöring .....	8
4.2	Efterföljande behandling .....	8
4.3	Kassering .....	8
<b>5</b>	<b>Reparationer</b>	<b>9</b>
<b>6</b>	<b>Tekniska data och driftgränser</b>	<b>10</b>
6.1	Maximalt verifieringsvågintervall .....	10
6.2	Maximalt tillåten belastning .....	10
6.3	Tekniska data för lastcellen .....	11
6.3.1	Ex-godkännande .....	11
6.3.2	Överensstämmelsestandard för lastcell .....	11
6.4	Mått .....	13
6.5	Information om kapacitetsförbelastning .....	14
6.5.1	Förbelastningstabell i kilogram .....	15
6.5.2	Förbelastningstabell i pund .....	17
6.6	Tillbehör .....	19
<b>7</b>	<b>Monteringsmöjligheter</b>	<b>20</b>
<b>8</b>	<b>Bilaga</b>	<b>21</b>
8.1	Etikett .....	21
8.2	Kontrollritning .....	22
8.3	Installationsritning .....	23



# 1 Säkerhetsinstruktioner

## 1.1 Avsedd användning

PBA639(x/xx) Vägningplattformar är en del av ett modulärt vägningssystem bestående av en METTLER TOLEDO-vägningsterminal som indikator och minst en vägningplattform.

- Använd vägningplattformen endast för vägning i enlighet med denna bruksanvisning.
- Vägningplattformen är avsedd endast för användning inomhus.
- Endast PBA639x/xx-vägningplattformen är lämplig för användning i farlig miljö enligt specifikationen nedan.
- All annan användning betraktas som ej avsedd.

### Legal metrologi

- Använd endast godkända vägningplattformar för användning i legal metrologi.
- Vid användning i legal metrologi ansvarar driftbolaget för att observera alla nationella vikt- och måttkrav.
- Kontakta METTLER TOLEDO:s serviceorganisation för frågor rörande användning i lagliga handelsapplikationer.

## 1.2 Felaktig användning

- Använd inte vägningsterminalen för annat än vägningssarbeten.
- Använd inte vägningplattformen i en annan miljö än vad som anges i --- MISSING LINK ---.
- Modifiera inte vägningplattformen.
- Använd inte vägningsterminalen bortom gränserna för tekniska specifikationer.
- Använd inte vägningplattformen för förvaring av varor.
- Undvik fallande gods på vägningplattformen.

## 1.3 Säkerhetsåtgärder

- Endast personal som utbildats och kvalificerats av METTLER TOLEDO får installera och underhålla vägningplattformen.
- Var försiktig när du transporterar eller lyfter tunga enheter.
- Koppla alltid bort vägningplattformen från strömkällan innan du installerar, utför service, rengöring eller underhåll.
- Anslutningskabeln får inte kopplas bort från vägningsterminalen när den är strömsatt.
- Se till att vägningplattformen har nått rumstemperatur innan du slår på strömförsörjningen.
- De explosionsskyddade vägningplattformarna PBA639x/xx är godkända för användning i följande farliga områden:
  - ATEX/IECEx kategori 2, kategori 3, gas/damm (zon 1/21, zon 2/22)
  - cFMus, klass I,II,III, div. 1, div. 2
- Det föreligger en ökad risk för personskador och materiella skador när vägningplattformarna används i farliga områden! Särskild försiktighet måste vidtas vid arbete i sådana områden.
- Gällande PBA639x/xx-vägningplattformen, använd endast packboxar som är lämpliga och godkända för farliga områden för att föra in vägningcellkabeln i vägningsterminalen.
- Explosionsskyddade vägningplattformar får endast användas i farliga områden i samband med vägningsterminaler med lämplig godkännande- och gränssnittsspecifikation.

## 1.4 Specifika förhållanden för användning

- I en explosiv atmosfär orsakad av luft/damm och fukt ska de lösa ändarna av kabeln anslutas utanför den farliga atmosfären eller i en lämplig inhägnad med en skyddsgrad på minst IP6X i enlighet med IEC/EN 60529.

## 2 Inledning

### 2.1 Sortiment

Denna bruksanvisning fokuserar på produktserien PBA639(x/xx).

PBA639(x/xx) Serien erbjuder en mångfald av vägningsplattformar för att uppfylla dina behov. Den är möjliga att godkänna och erbjuder olika storlekar och kapacitet.

Typ	Lastplattans material	Vågramens material	Lastcellens design	Miljö-IP-skydd	Farogodkännande
PBA639	Rostfritt stål	Rostfritt stål	Rostfritt stål, hermetiskt kapslad	Torr, våt, IP68/IP69K	-
PBA639x	AISI304, tillval /	AISI304			Zon 1/21, div 1
PBA639xx	Rostfritt stål AISI316L, tillval / Rostfritt stål AISI316L, öppen platta, tillval				Zon 2/22, div 2

### 2.2 Om denna bruksanvisning



Denna bruksanvisning innehåller all information för operatören av produkten.

- Läs denna bruksanvisning noga före användning.
- Bevara denna bruksanvisning för framtida referens.
- Vidarebefordra denna bruksanvisning till eventuell framtida ägare eller användare av produkten.

### 2.3 Ytterligare dokument

Utöver denna utskrivna bruksanvisning kan du ladda ner följande dokument från ► [www.mf.com](http://www.mf.com):

- Broschyr
- Installationsinformation (för utbildad personal under kontroll av driftbolaget)
- Typgodkännandedokument

#### Ladda ner certifikat

Certifikat för US, Kanada, ATEX, UKEX och IECEx kan laddas ner från

► <https://www.mf.com/us/en/home/search/compliance.html/compliance/>.

## 3 Installation och drift

### 3.1 Ansluta vägningsplattformen till vägningsterminalen

PBA639(x/xx) Vägningsplattformarna är utformade för användning med analoga METTLER TOLEDO-vägnings-terminaler.

- 1 För in vägningsplattformens kabel genom packboxen och in i vägningsterminalen.
- 2 Anslut vägningsplattformens kabel till anslutningsplinten för vägningsterminalen i enlighet med följande tabell.

Signal	Ledningsfärg	Kontaktton
SIG+	Vit	
SIG-	Röd	
EXC+	Grön	
EXC-	Svart	
SEN+	Gul	
SEN-	Blå	



#### VARNING

Kabelavskärmningen måste vara jordad.

#### Säkerhetsåtgärder för anslutningar

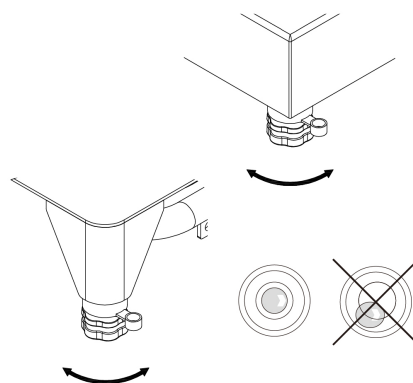
- Vid anslutning av vägningsplattformen i ett farligt område, följ ovillkorligen kraven som anges i kontrollritningen som finns i [Bilaga ► sidan 21].
- Kontrollera de särskilda förhållandena för säker användning i ritningarna och certifikaten i [Bilaga ► sidan 21].
- Kabelavskärmningen ansluts till lastcellens fjäderelement (lastcellens stomme). Beakta lämplig anslutning mellan lastcellen och terminalen (eller kopplingsboxen) baserat på installationsscenarioet.
- Resistansen mellan alla skyddsjordade anslutningar och den systemjordade elektroden får inte överstiga 1 ohm.
- Installationen ska ske i enlighet med relevanta standarder för elektrisk installation.
- Om dessa instruktioner inte följs äventyras explosionssäkerheten.

## 3.2 Nivellering

För att leverera korrekta vägningsresultat måste vägningsplattformen stå helt horisontellt. Vägningsplattformen måste nivelleras under den inledande installation och när dess plats byts.

- 1 Skruva på vägningsplattformens justerbara fötter tills luftbubblan i vattenpasset befinner sig i den inre cirkeln.
- 2 Dra åt de justerbara fötternas låsmuttrar.

☞ Skanna QR-koden för att se videon

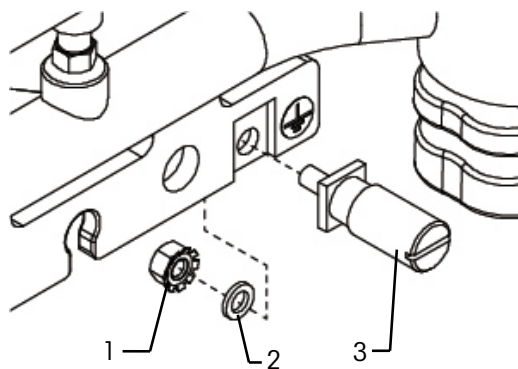


## 3.3 Potentialutjämnning

Potentialutjämnningen för PBA639x/xx-vägningsplattformarna monteras på fabriken. Ledningarna måste installeras av en professionell elektriker på kundplatsen. METTLER TOLEDO service har här endast en övervakande och konsulterande funktion. Anslut potentialutjämnningen (PA) för alla enheter (vägningsplattform och vägningsterminal) i enlighet med de landsspecifika föreskrifterna och standarderna. Se i denna process till att alla enhetshus ansluts till samma potential via PA-terminalen.

### Obs!

Utrustningen är skyddad mot elstötar enligt IEC60950, klass II.



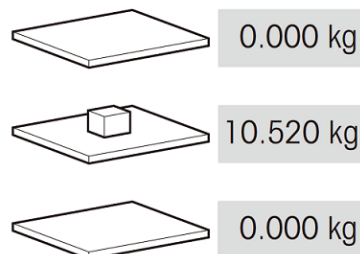
- 1 - Sexkantlås-mutter, M4 KEPS
- 2 - Bricka
- 3 - Potentialutjämnings-terminal, vridmoment 3,5 Nm

Beställningsnummer för potentialutjämnings-satsen 72237321

## 3.4 Kontrollera vägningsplattformen

### Funktionskontroll

- 1 Se till att vägningsplattformen är ansluten till en vägningsterminal och att vägningsterminalen är påslagen.
- 2 Se till att inga föremål befinner sig på vägningsplattformen och att vägningsterminalens display visar 0.
- 3 Lägg ett föremål på vägningsplattformen. Vägnings-terminalen måste visa ett annat värde än 0.
- 4 Ta bort föremålet från vägningsplattformen. Vägnings-terminalen måste återgå till 0.



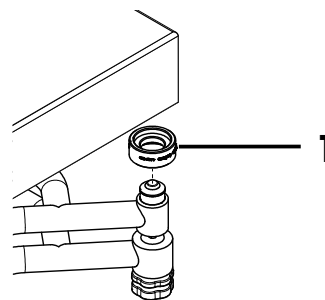
### Verifikationstest

Se bruksanvisningen till den anslutna vägningsterminalen för ett verifikationstest. Om verifikationsplomberingen är bruten är inte längre verifikationen giltig.

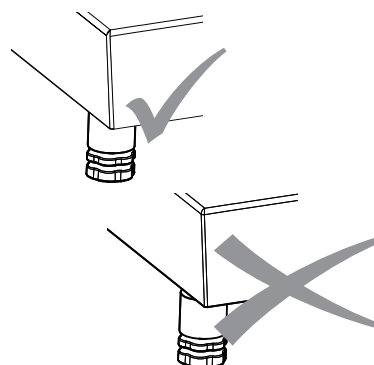
### 3.5 Använda vägningsplattformen

Observera följande för bästa vägningsresultat:

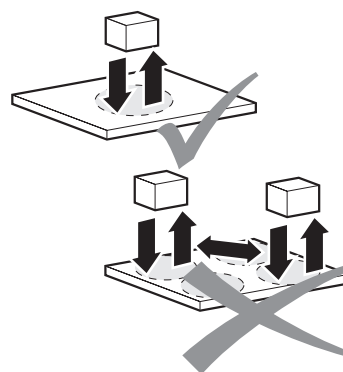
- Om vägningsplattformen levereras med transport-skyddsdynor (1) under lastplattan, ta bort transport-skyddsdynor innan du tar i bruk den.



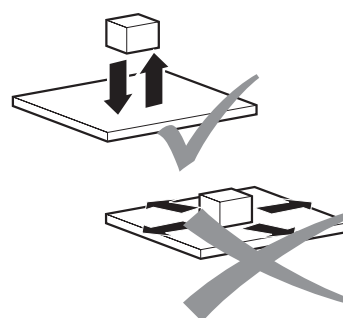
- Se till att lastplattan är korrekt på plats.



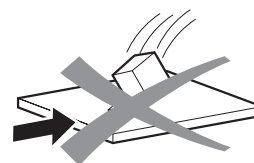
- Placera alltid vägningsprovet på samma position på vägningsplattformen för att uppnå bästa vägningsresultat.



- Undvik slipande och nötande procedurer.



- Undvik fallande last, stötar och sidokollisioner



### 3.6 Installation, konfiguration, service och reparation

För installation, konfiguration, service och reparation av vägningsplattformarna, ring METTLER TOLEDO service.

## 4 Underhåll

### 4.1 Noteringar om rengöring

#### Anteckning

#### Skada på vägningsplattformen på grund av felaktig användning av rengöringsmedel.

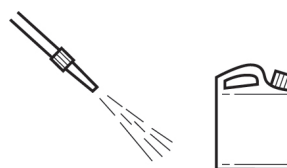
- Använd endast desinfektionsmedel och rengöringsmedel i enlighet med tillverkarens instruktioner.
- Använd inte mycket syrahaltiga, alkaliska eller klorhaltiga rengöringsmedel. Undvik ämnen med ett högt eller lågt pH-värde, eftersom ökad korrosionsrisk annars föreligger.
- Var särskilt försiktig när du rengör lastcellen.

#### Rengöringsprocedur

- Avlägsna smuts och avlagringar vid regelbundna intervall från utsidan och insidan av vägningsplattformen.
  - ➔ Proceduren beror på både typen av yta och miljöförhållandena som råder på installationsplatsen.

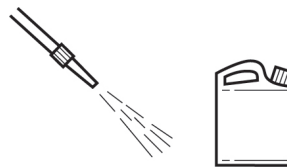
#### Rengöring i en våt miljö (versioner i rostfritt stål)

- Använd en vattenstråle upp till 80 °C / 176 °F och max. 80 bar, minsta avstånd 40 cm / 16".
- Använd hushållsrengöringsmedel.



#### Rengöring i en korrosiv miljö (versioner i rostfritt stål)

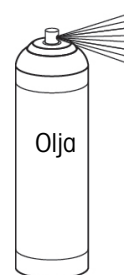
- Använd en vattenstråle.
  - Inre rengöring**, lastcell, lastplatta öppnad: upp till 60 °C / 140 °F och max. 2 bar, minsta avstånd 40 cm / 16".
  - Yttre rengöring**, lastplatta stängd: till 80 °C / 176 °F och max. 80 bar, minsta avstånd 40 cm / 16".
- Avlägsna korrosiva ämnen vid regelbundna intervall.
- Använd endast desinfektionsmedel och rengöringsmedel i enlighet med tillverkarens specifikationer och instruktioner.



### 4.2 Efterföljande behandling

Utför därefter följande behandling för att skydda vågen:

- Skölj vågen med klart vatten och avlägsna rengöringsmedel helt.
- Torka av vågen med en luddfri trasa.
- Med vågar i rostfritt stål, behandla insidan och utsidan med en olja som är lämplig för livsmedel.



### 4.3 Kassering

I överensstämmelse med det europeiska direktivet 2012/19/EU om avfall som utgörs av eller innehåller elektriska eller elektroniska produkter (WEEE) får denna enhet inte kastas bland hushållsavfall. Detta gäller även för länder utanför EU enligt respektive lands specifika krav.

Denna produkt ska lämnas in till en samlingsanläggning för elektrisk och elektronisk utrustning i enlighet med nationella bestämmelser. Vid eventuella frågor kontaktar du ansvarig myndighet eller den leverantör som du köpte denna utrustning av. Om den här enheten lämnas vidare till andra parter måste innebörden i denna regel också följa med.





## 5 Reparationer

Denna utrustning är certifierad för användning på farliga platser, och därför är inga modifieringar tillåtna. Reparationer får endast utföras av personal med särskild utbildning för reparationer av denna utrustning.

## 6 Tekniska data och driftgränser

### 6.1 Maximalt verifieringsvågintervall

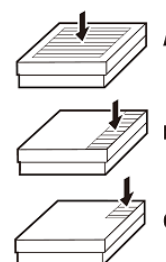
Max. verifieringsvågintervall [e] / OIML	Kapacitet							
	3 kg	6 kg	15 kg	30 kg	60 kg	150 kg	300 kg	600 kg
2 x 3000e MR	-	3 / 0.001	6 / 0.002	15 / 0.005	30 / 0.01	60 / 0.02	150 / 0.05	300 / 0.1
Max / e [kg]	-	6 / 0.002	15 / 0.005	30 / 0.01	60 / 0.02	150 / 0.05	300 / 0.1	600 / 0.2

Max. verifieringsvågintervall [d] / NTEP	Kapacitet							
	-	10 lb	25 lb	50 lb	100 lb	250 lb	500 lb	1000 lb
1 x 5000d Max / d [lb]	-	10 / 0.002	25 / 0.005	50 / 0.01	100 / 0.02	250 / 0.05	500 / 0.1	1000 / 0.2

### 6.2 Maximalt tillåten belastning

Alla vägningsplattformar är utrustade med ett överbelastningskydd. Med den robusta vågkonstruktionen kan du emellanåt överskrida plattformens nominella kapacitet utan skada. Den maximala statiska, säkra belastningen får aldrig överskridas.

– Observera följande driftgränser.



Modell	A - Mittbelastning	B - Sidoblastning	C - Hörnbelastning
PBA639(x/xx)-QA	50 kg / 110 lb	35 kg / 77 lb	20 kg / 44 lb
PBA639(x/xx)-A	50 kg / 110 lb	35 kg / 77 lb	20 kg / 44 lb
PBA639(x/xx)-QB	120 kg / 265 lb	80 kg / 176 lb	40 kg / 88 lb
PBA639(x/xx)-BB	120 kg / 265 lb	80 kg / 176 lb	40 kg / 88 lb
PBA639(x/xx)-B	220 kg / 485 lb	150 kg / 331 lb	80 kg / 176 lb
PBA639(x/xx)-BC	450 kg / 992 lb	350 kg / 772 lb	180 kg / 397 lb
PBA639(x/xx)-CC	750 kg / 1653 lb	400 kg / 882 lb	200 kg / 440 lb



#### VARNING

Undvik fallande laster, stötar och sidokollisioner.

## 6.3 Tekniska data för lastcellen

Märkeffekt	mV/V	1,8 ± 0.2
Ingångsresistans	Ω	384 ± 15
Utgångsresistans	Ω	350 ± 4
Rekommenderad spänning	V (DC / AC)	5 - 15
Max. inducerad spänning	V (DC / AC)	20
Kabelmantel	-	PVC
IP-klass	-	IP68/IP69K

### 6.3.1 Ex-godkännande

Detta avsnitt täcker endast de ex-relevanta aspekterna av produkten.

Lastcellen SLP84x(x=6,7,8) har beviljats:

ATEX-certifikat	FM21ATEX0003X, FM21ATEX0025X
UK-certifikat	FM21UKEX0079X, FM21UKEX0080X
IECEX-certifikat	IECEX FMG21.0003X
US-certifikat	FM21US0005X
Kanada-certifikat	FM21CA0002X

För certifikaten som anges ovan och de relaterade installationsritningarna, se [Bilaga ► sidan 21].

### 6.3.2 Överensstämmelsestandard för lastcell

#### US-standarder

Titel	Nummer	Utfärdningsdatum
Elektrisk utrustning för användning på farliga (klassificerade) platser – Allmänna krav	FM-klass 3600	2018
Egensäkra apparater och tillhörande apparater för användning i klass I, II och III, division 1, farliga (klassificerade) platser	FM-klass 3610	2021
Icke-tändbenägen elektrisk utrustning för användning i klass I och II, division 2, och klass III, division 1 och 2, farliga (klassificerade) platser	FM-klass 3611	2021
Elektrisk utrustning för mätning, kontroll och för användning i laboratorium	FM-klass 3810	2021
Explosiv atmosfär - Del 0: Utrustning - Allmänna krav	ANSI/UL 60079-0	2019
Explosiv atmosfär – Del 11: Utrustningsskydd genom egensäkerhet "i"	ANSI/ISA 60079-11	2014
Icke-tändbenägen elektrisk utrustning för användning i klass I och II, division 2, och klass III, division 1 och 2, farliga (klassificerade) platser	ANSI/UL 121201	2017
Säkerhetskrav för elektrisk utrustning för mätning, kontroll och användning i laboratorium – Del 1: Allmänna krav	ANSI/UL 61010-1	2012
Kapslingsklasser för elektrisk materiel (IP-beteckning)	ANSI/IEC 60529	2020

#### Kanada-standarder

Titel	Nummer	Utfärdningsdatum
Icke-tändbenägen elektrisk utrustning för användning i klass I, division 2, farliga platser	CSA C22.2 nr 213	2017
Explosiv atmosfär - Del 0: Utrustning - Allmänna krav	CAN/CSA-C22.2 nr 60079-0	2019
Explosiv atmosfär - Del 11: Utrustningsskydd genom egensäkerhet "i"	CAN/CSA-C22.2 nr 60079-11	2014

Titel	Nummer	Utfärdningsdatum
Explosiv atmosfär - Del 7: Utrustningsskydd genom ökad säkerhet "e"	CAN/CSA-C22.2 nr 60079-7	2018
Explosiv atmosfär - Del 31: Utrustning i utförande med dammskyddande kapsling "t"	CAN/CSA-C22.2 nr 60079-31	2015
Säkerhetskrav för elektrisk utrustning för mätning, kontroll och användning i laboratorium – Del 1: Allmänna krav	CSA C22.2 nr 61010-1	2012
Kapslingsklasser för elektrisk materiel (IP-beteckning)	CSA C22.2 nr 60529	2016

#### IECEx-standarder

Titel	Nummer	Utfärdningsdatum
Explosiv atmosfär - Del 0: Utrustning - Allmänna krav	IEC 60079-0	2017
Explosiv atmosfär - Del 11: Utrustningsskydd genom egensäkerhet "i"	IEC 60079-11	2011
Explosiv atmosfär - Del 7: Utrustningsskydd genom ökad säkerhet "e"	IEC 60079-7	2017
Explosiv atmosfär - Del 31: Utrustning i utförande med dammskyddande kapsling "t"	IEC 60079-31	2013
Kapslingsklasser för elektrisk materiel (IP-beteckning)	IEC 60529	2013

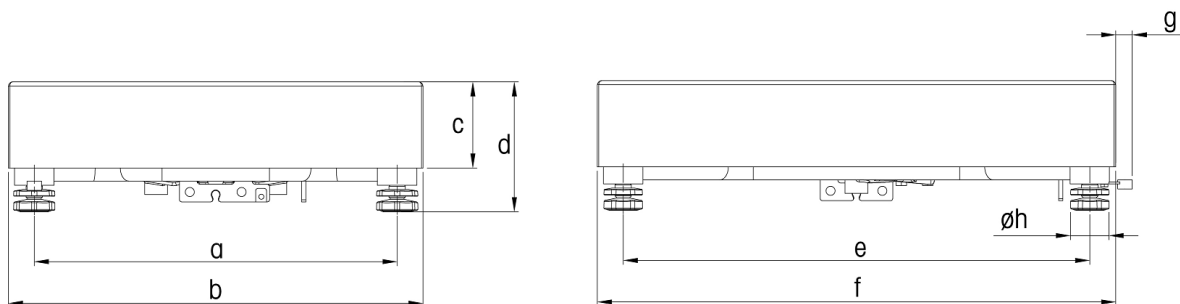
#### ATEX-standarder

Titel	Nummer	Utfärdningsdatum
Explosiv atmosfär - Del 0: Utrustning - Allmänna krav	EN IEC 60079-0	2018
Explosiv atmosfär - Del 11: Utrustningsskydd genom egensäkerhet "i"	EN 60079-11	2012
Explosiv atmosfär - Del 7: Utrustningsskydd genom ökad säkerhet "e"	EN 60079-7	2015 +A1:2018
Explosiv atmosfär - Del 31: Utrustning i utförande med dammskyddande kapsling "t"	EN 60079-31	2014
Kapslingsklasser för elektrisk materiel (IP-beteckning)	EN 60529	1991 + A1:2000 + A2:2013

#### UKEX-standarder

Titel	Nummer	Utfärdningsdatum
Explosiv atmosfär - Del 0: Utrustning - Allmänna krav	EN IEC 60079-0	2018
Explosiv atmosfär - Del 11: Utrustningsskydd genom egensäkerhet "i"	EN 60079-11	2012
Explosiv atmosfär - Del 7: Utrustningsskydd genom ökad säkerhet "e"	EN 60079-7	2015 +A1:2018
Explosiv atmosfär - Del 31: Utrustning i utförande med dammskyddande kapsling "t"	EN 60079-31	2014
Kapslingsklasser för elektrisk materiel (IP-beteckning)	EN 60529	1991 + A1:2000 + A2:2013

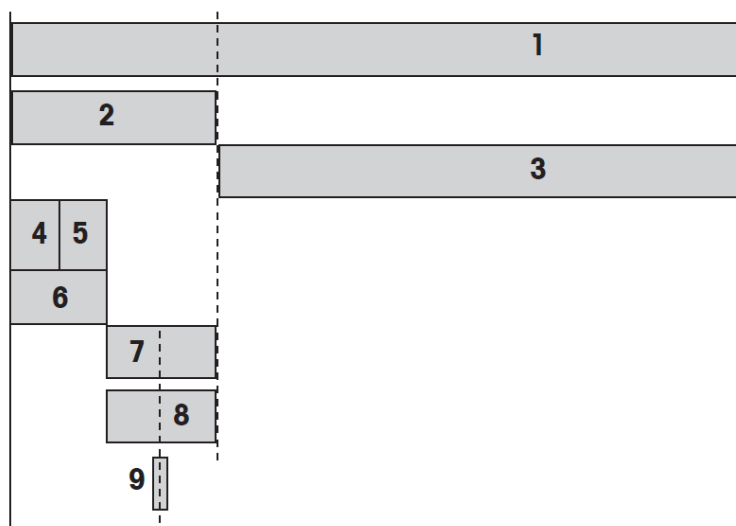
## 6.4 Mått



Mått		a	b	c	d *	e	f	g	h
PBA639(x/xx)-QA	mm	178	228	70	110	178	228	21	40
	tum	7,01	8,98	2,76	4,33	7,01	8,98	0,83	1,57
PBA639(x/xx)-A	mm	190	240	70	110	250	300	21	40
	tum	7,48	9,45	2,76	4,33	9,84	11,81	0,83	1,57
PBA639(x/xx)-QB	mm	255	305	70	110	255	305	21	40
	tum	10,04	12,01	2,76	4,33	10,04	12,01	0,83	1,57
PBA639(x/xx)-BB	mm	250	300	70	110	350	400	21	40
	tum	9,84	11,81	2,76	4,33	13,78	15,75	0,83	1,57
PBA639(x/xx)-B	mm	350	400	83	126	450	500	21	40
	tum	13,78	15,75	3,27	4,96	17,72	19,69	0,83	1,57
PBA639(x/xx)-BC	mm	450	500	90	134	600	650	21	40
	tum	17,72	19,69	3,54	5,28	23,62	25,59	0,83	1,57
PBA639(x/xx)-CC	mm	550	600	90	134	750	800	21	40
	tum	21,65	23,62	3,54	5,28	29,53	31,50	0,83	1,57
PBA639(x/xx)-CC600	mm	550	600	94	140,5	750	800	21	40
	tum	21,65	23,62	3,70	5,53	29,53	31,50	0,83	1,57

\* : d= minsta plattformshöjd. Med vågens justerbara fötter kan plattformshöjden öka med maximalt 5 mm / 0,20 tum.

## 6.5 Information om kapacitetsförbelastning



<b>1</b>	Maximalt belastningsområde för lastcellen ( $E_{max}$ )
<b>2</b>	Maximal förbelastning = Maximalt belastningsområde <b>1</b> – Maximal belastning <b>3</b>
<b>3</b>	Maximal belastning = Maximalt belastningsområde <b>1</b> – Maximal förbelastning <b>2</b>
<b>4</b>	Förbelastning övre sektion
<b>5</b>	Förbelastning vågskål
<b>6</b>	Förbelastning ex works = Förbelastning övre sektion <b>4</b> + Förbelastning vågskål <b>5</b>
<b>7</b>	Mekanisk förbelastningsreserv = Maximal förbelastning <b>2</b> – Förbelastning ex works <b>6</b>
<b>8</b>	Det nollinställda området (tillkoppling) kan ställas in. Det nollinställda området måste ligga inom den maximala förbelastningen. Det nollinställda området kan uppgå till max. 18 % av den maximala belastningen.
<b>9</b>	Nollinställt område $\pm 2\%$ av den maximala belastningen

## 6.5.1 Förbelastningstabell i kilogram

### PBA639(x/xx) med standardplatta (304 / 316L)

Typ	Mått [mm]	Max. belastning (3)	Förbelastning övre sektion (4)	Förbelastning vågskål (5)	Förbelastning ex works (6)	Mek. Förbelastningsreserv (7)	Nol-linställt område (8)	Max. belastningsområde (1)
PBA639(x/xx)-QA3	228x228	3	0,71	1,90	2,61	5,39	0,54	11
PBA639(x/xx)-QA6	228x228	6	0,71	1,90	2,61	2,39	1,08	11
PBA639(x/xx)-A3	240x300	3	0,80	2,40	3,20	4,80	0,54	11
PBA639(x/xx)-A6	240x300	6	0,80	2,40	3,20	1,80	1,08	11
PBA639(x/xx)-A15	240x300	15	0,80	2,40	3,20	3,80	2,70	22
PBA639(x/xx)-QB15	305x305	15	1,42	2,80	4,22	2,78	2,70	22
PBA639(x/xx)-QB30	305x305	30	1,42	2,80	4,22	25,78	5,40	60
PBA639(x/xx)-QB60	305x305	60	1,42	2,80	4,22	35,78	10,80	100
PBA639(x/xx)-BB30	300x400	30	2,00	3,50	5,50	24,50	5,40	60
PBA639(x/xx)-BB60	300x400	60	2,00	3,50	5,50	34,50	10,80	100
PBA639(x/xx)-B30	400x500	30	3,99	5,50	9,49	20,51	5,40	60
PBA639(x/xx)-B60	400x500	60	3,99	5,50	9,49	30,51	10,80	100
PBA639(x/xx)-B150	400x500	150	3,99	5,50	9,49	40,51	27,00	200
PBA639(x/xx)-BC60	500x650	60	6,93	8,40	15,33	24,67	10,80	100
PBA639(x/xx)-BC150	500x650	150	6,93	8,40	15,33	84,67	27,00	250
PBA639(x/xx)-BC300	500x650	300	6,93	8,40	15,33	184,67	54,00	500
PBA639(x/xx)-CC60	600x800	60	10,53	11,50	22,03	17,97	10,80	100
PBA639(x/xx)-CC150	600x800	150	10,53	11,50	22,03	77,97	27,00	250
PBA639(x/xx)-CC300	600x800	300	10,53	11,50	22,03	177,97	54,00	500
PBA639(x/xx)-CC600	600x800	600	10,53	14,70	25,23	124,77	108,00	750

### PBA639(x/xx) med öppen platta (304 / 316L)

Typ	Mått [mm]	Max. belastning (3)	Förbelastning övre sektion (4)	Förbelastning vågskål (5)	Förbelastning ex works (6)	Mek. Förbelastningsreserv (7)	Nol-linställt område (8)	Max. belastningsområde (1)
PBA639(x/xx)-QA3	228x228	3	0,71	1,20	1,91	6,09	0,54	11
PBA639(x/xx)-QA6	228x228	6	0,71	1,20	1,91	3,09	1,08	11
PBA639(x/xx)-A3	240x300	3	0,80	1,50	2,30	5,70	0,54	11
PBA639(x/xx)-A6	240x300	6	0,80	1,50	2,30	2,70	1,08	11
PBA639(x/xx)-A15	240x300	15	0,80	1,50	2,30	4,70	2,70	22
PBA639(x/xx)-QB15	305x305	15	1,42	1,80	3,22	3,78	2,70	22
PBA639(x/xx)-QB30	305x305	30	1,42	1,80	3,22	26,78	5,40	60
PBA639(x/xx)-QB60	305x305	60	1,42	1,80	3,22	36,78	10,80	100
PBA639(x/xx)-BB30	300x400	30	2,00	2,30	4,30	25,70	5,40	60
PBA639(x/xx)-BB60	300x400	60	2,00	2,30	4,30	35,70	10,80	100
PBA639(x/xx)-B30	400x500	30	3,99	5,60	9,59	20,41	5,40	60
PBA639(x/xx)-B60	400x500	60	3,99	5,60	9,59	30,41	10,80	100
PBA639(x/xx)-B150	400x500	150	3,99	5,60	9,59	40,41	27,00	200

**PBA639(x/xx) utan platta**

Typ	Mått [mm]	Max. belastning (3)	Förbelastning övre sektion (4)	Förbelastning vågskål (5)	Förbelastning ex works (6)	Mek. Förbelastnings-reserv (7)	Nol-linställt område (8)	Max. belastnings-område (1)
PBA639(x/xx)-QA3	228x228	3	0,71	0	0,71	7,286	0,54	11
PBA639(x/xx)-QA6	228x228	6	0,71	0	0,71	4,29	1,08	11
PBA639(x/xx)-A3	240x300	3	0,80	0	0,80	7,20	0,54	11
PBA639(x/xx)-A6	240x300	6	0,80	0	0,80	4,20	1,08	11
PBA639(x/xx)-A15	240x300	15	0,80	0	0,80	6,20	2,70	22
PBA639(x/xx)-QB15	305x305	15	1,42	0	1,42	5,58	2,70	22
PBA639(x/xx)-QB30	305x305	30	1,42	0	1,42	28,58	5,40	60
PBA639(x/xx)-QB60	305x305	60	1,42	0	1,42	38,58	10,80	100
PBA639(x/xx)-BB30	300x400	30	2,00	0	2,00	28,00	5,40	60
PBA639(x/xx)-BB60	300x400	60	2,00	0	2,00	38,00	10,80	100
PBA639(x/xx)-B30	400x500	30	3,99	0	3,99	26,01	5,40	60
PBA639(x/xx)-B60	400x500	60	3,99	0	3,99	36,01	10,80	100
PBA639(x/xx)-B150	400x500	150	3,99	0	3,99	46,01	27,00	200
PBA639(x/xx)-BC60	500x650	60	6,93	0	6,93	33,07	10,80	100
PBA639(x/xx)-BC150	500x650	150	6,93	0	6,93	93,07	27,00	250
PBA639(x/xx)-BC300	500x650	300	6,93	0	6,93	193,07	54,00	500
PBA639(x/xx)-CC60	600x800	60	10,53	0	10,53	29,47	10,80	100
PBA639(x/xx)-CC150	600x800	150	10,53	0	10,53	89,47	27,00	250
PBA639(x/xx)-CC300	600x800	300	10,53	0	10,53	189,47	54,00	500
PBA639(x/xx)-CC600	600x800	600	10,53	0	10,53	139,47	108,00	750



## 6.5.2 Förbelastningstabell i pund

### PBA639(x/xx) med standardplatta (304 / 316L)

Typ	Mått [tum]	Max. be- last- ning (3)	Förbe- lastning övre sektion (4)	Förbelast- ning vågskål (5)	Förbe- lastning ex works (6)	Mek. För- belast- nings- reserv (7)	Nol- linställt område (8)	Max. be- last- nings- område (1)
PBA639(x/xx)-QA6	9x9	10	1,57	4,19	5,76	8,49	1,8	24
PBA639(x/xx)-A6	9,5x11,8	10	1,75	5,29	7,05	7,20	1,8	24
PBA639(x/xx)-A15	9,5x11,8	25	1,75	5,29	7,05	16,46	4,5	49
PBA639(x/xx)-QB15	12x12	25	3,13	6,17	9,30	14,20	4,5	49
PBA639(x/xx)-QB30	12x12	50	3,13	6,17	9,30	72,98	9,0	132
PBA639(x/xx)-QB60	12x12	100	3,13	6,17	9,30	111,16	18,0	220
PBA639(x/xx)-BB30	11,8x15,7	50	4,41	7,72	12,12	70,15	9,0	132
PBA639(x/xx)-BB60	11,8x15,7	100	4,41	7,72	12,12	108,34	18,0	220
PBA639(x/xx)-B30	15,7x19,7	50	8,79	12,13	20,92	61,36	9,0	132
PBA639(x/xx)-B60	15,7x19,7	100	8,79	12,13	20,92	99,55	18,0	220
PBA639(x/xx)-B150	15,7x19,7	250	8,79	12,13	20,92	170,01	45,0	441
PBA639(x/xx)-BC60	19,7x25,6	100	15,27	18,52	33,79	86,67	18,0	220
PBA639(x/xx)-BC150	19,7x25,6	250	15,27	18,52	33,79	267,37	45,0	551
PBA639(x/xx)-BC300	19,7x25,6	500	15,27	18,52	33,79	568,52	90,0	1102
PBA639(x/xx)-CC60	23,6x29,5	100	23,21	25,35	48,56	71,90	18,0	220
PBA639(x/xx)-CC150	23,6x29,5	250	23,21	25,35	48,56	252,60	45,0	551
PBA639(x/xx)-CC300	23,6x29,5	500	23,21	25,35	48,56	553,75	90,0	1102
PBA639(x/xx)-CC600	23,6x29,5	1000	23,21	32,41	55,61	597,85	180,0	1653

### PBA639(x/xx) med öppen platta (304 / 316L)

Typ	Mått [tum]	Max. be- last- ning (3)	Förbe- lastning övre sektion (4)	Förbelast- ning vågskål (5)	Förbe- lastning ex works (6)	Mek. För- belast- nings- reserv (7)	Nol- linställt område (8)	Max. be- last- nings- område (1)
PBA639(x/xx)-QA6	9x9	10	1,57	2,65	4,22	10,03	1,8	24
PBA639(x/xx)-A6	9,5x11,8	10	1,75	3,31	5,06	9,19	1,8	24
PBA639(x/xx)-A15	9,5x11,8	25	1,75	3,31	5,06	18,44	4,5	49
PBA639(x/xx)-QB15	12x12	25	3,13	3,97	7,10	16,41	4,5	49
PBA639(x/xx)-QB30	12x12	50	3,13	3,97	7,10	75,18	9,0	132
PBA639(x/xx)-QB60	12x12	100	3,13	3,97	7,10	113,37	18,0	220
PBA639(x/xx)-BB30	11,8x15,7	50	4,41	5,07	9,48	72,80	9,0	132
PBA639(x/xx)-BB60	11,8x15,7	100	4,41	5,07	9,48	110,98	18,0	220
PBA639(x/xx)-B30	15,7x19,7	50	8,79	12,35	21,14	61,14	9,0	132
PBA639(x/xx)-B60	15,7x19,7	100	8,79	12,35	21,14	99,33	18,0	220
PBA639(x/xx)-B150	15,7x19,7	250	8,79	12,35	21,14	169,79	45,0	441

### PBA639(x/xx) utan platta

Typ	Mått [tum]	Max. be- last- ning (3)	Förbe- lastning övre sektion (4)	Förbelast- ning vågskål (5)	Förbe- lastning ex works (6)	Mek. För- belast- nings- reserv (7)	Nol- linställt område (8)	Max. be- last- nings- område (1)
PBA639(x/xx)-QA6	9x9	10	1,57	0,00	1,57	12,68	1,8	24

Typ	Mått [tum]	Max. be- last- ning (3)	Förbe- lastning övre sektion (4)	Förbelast- ning vågskål (5)	Förbe- lastning ex works (6)	Mek. För- belast- nings- reserv (7)	Nol- linställt område (8)	Max. be- last- nings- område (1)
PBA639(x/xx)-A6	9,5x11,8	10	1,75	0,00	1,75	12,50	1,8	24
PBA639(x/xx)-A15	9,5x11,8	25	1,75	0,00	1,75	21,75	4,5	49
PBA639(x/xx)-QB15	12x12	25	3,13	0,00	3,13	20,37	4,5	49
PBA639(x/xx)-QB30	12x12	50	3,13	0,00	3,13	79,15	9,0	132
PBA639(x/xx)-QB60	12x12	100	3,13	0,00	3,13	117,33	18,0	220
PBA639(x/xx)-BB30	11,8x15,7	50	4,41	0,00	4,41	77,87	9,0	132
PBA639(x/xx)-BB60	11,8x15,7	100	4,41	0,00	4,41	116,06	18,0	220
PBA639(x/xx)-B30	15,7x19,7	50	8,79	0,00	8,79	73,49	9,0	132
PBA639(x/xx)-B60	15,7x19,7	100	8,79	0,00	8,79	111,67	18,0	220
PBA639(x/xx)-B150	15,7x19,7	250	8,79	0,00	8,79	182,13	45,0	441
PBA639(x/xx)-BC60	19,7x25,6	100	15,27	0,00	15,27	105,19	18,0	220
PBA639(x/xx)-BC150	19,7x25,6	250	15,27	0,00	15,27	285,89	45,0	551
PBA639(x/xx)-BC300	19,7x25,6	500	15,27	0,00	15,27	587,04	90,0	1102
PBA639(x/xx)-CC60	23,6x29,5	100	23,21	0,00	23,21	97,26	18,0	220
PBA639(x/xx)-CC150	23,6x29,5	250	23,21	0,00	23,21	277,95	45,0	551
PBA639(x/xx)-CC300	23,6x29,5	500	23,21	0,00	23,21	579,11	90,0	1102
PBA639(x/xx)-CC600	23,6x29,5	1000	23,21	0,00	23,21	630,26	180,0	1653

## 6.6 Tillbehör

### Pelare

Artikelnr	Beteckning	Beskrivning
30676281	Pelare öppen 330 mm / 13"	Passar för plattformstorlekar
30676282	Pelare öppen 660 mm / 26"	Passar för alla plattformstorlekar
30676283	Pelare öppen 900 mm / 35,4"	Passar för alla plattformstorlekar större än A-storlek
30676284	Pelare stängd 330 mm / 13"	Passar för plattformstorlekar
30676285	Pelare stängd 660 mm / 26"	Passar för alla plattformstorlekar
30676286	Pelare stängd 900 mm / 35,4"	Passar för alla plattformstorlekar större än A-storlek

### Vagn i rostfritt stål

Artikelnr	Beteckning	Beskrivning
72225939	Vagn i rostfritt stål BC	Passar för plattform 500 × 650 mm
72225940	Vagn i rostfritt stål CC	Passar för plattform 600 × 800 mm

### Rullbana

Artikelnr	Beteckning	Beskrivning
30253326	Rullbana 400 × 500 mm / 15,7" × 19,7" rostfritt stål	Passar för plattform 400 × 500 mm. Rulla till plattformens korta sida.
30253328	Rullbana 500 × 650 mm / 19,7" × 25,6" rostfritt stål	Passar för plattform 500 × 650 mm. Rulla till plattformens korta sida.
30253330	Rullbana 600 × 800 mm / 23,6" × 31,5" rostfritt stål	Passar för plattform 600 × 800 mm. Rulla till plattformens korta sida.
30253327	Rullbana 400 × 500 mm / 15,7" × 19,7" rostfritt stål	Passar för plattform 400 × 500 mm. Rulla till plattformens långa sida.
30253329	Rullbana 500 × 650 mm / 19,7" × 25,6" rostfritt stål	Passar för plattform 500 × 650 mm. Rulla till plattformens långa sida.
30253331	Rullbana 600 × 800 mm / 23,6" × 31,5" rostfritt stål	Passar för plattform 600 × 800 mm. Rulla till plattformens korta sida.
30640393	Rullbana 400 × 500 mm / 15,7" × 19,7" rostfritt stål	Passar för farligt område
30640394	Rullbana 500 × 650 mm / 19,7" × 25,6" rostfritt stål	Passar för farligt område
30640395	Rullbana 600 × 800 mm / 23,6" × 31,5" rostfritt stål	Passar för farligt område

### Främre monteringsfäste

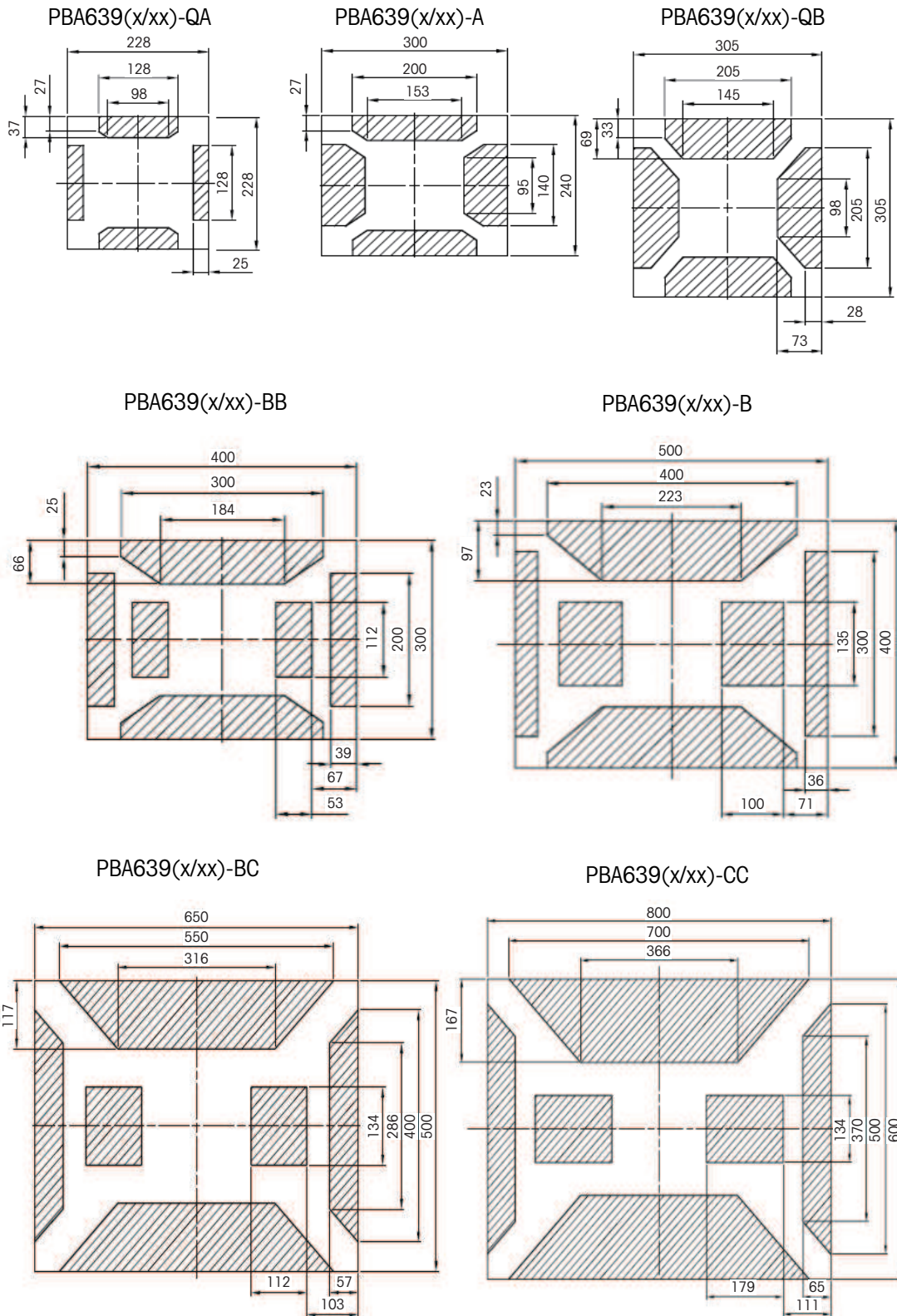
Artikelnr	Beteckning	Beskrivning
30676290	Främre monteringsfäste	Passar för främre montering ICS4_9
30676291	Främre monteringsfäste	Passar för främre montering ICS689

## 7 Monteringsmöjligheter

PBA639(x/xx) stöder montering på stabil anordning. Om borring på vägningsplattformen är nödvändig, följ bormönstret nedan.



**OBS! På de skuggade områdena är borring tillåten på vägningsplattformen.**



Mäts i [mm]



## 8 Bilaga

### 8.1 Etikett

<p>IS CL I,II,III DIV 1, GP ABCDEFG T6...T4 Class I, Zone 1, AEx ia IIC T6...T4 Gb Class II,III, Zone 21, AEx ia IIIC T80°C Db -40°C&lt;Ta&lt;60°C T5/T4; -40°C&lt;Ta&lt;40°C T6 FM21US0076X</p> <hr/> <p>IS CL I,II,III DIV 1, GP ABCDEFG T6...T4 Class I, Zone 1, Ex ia IIC T6...T4 Gb Class II,III, Zone 21, Ex ia IIIC T80°C Db -40°C&lt;Ta&lt;60°C T5/T4; -40°C&lt;Ta&lt;40°C T6 FM21CA0051X</p>	 <p>C APPROVED US IP67</p>	 <p>II 2G Ex ia IIC T6...T4 Gb II 2D Ex ia IIIC T80°C Db -40°C&lt;Ta&lt;60°C T5/T4 -40°C&lt;Ta&lt;40°C T6</p> <hr/> <p>Entity/NIFW for NonIncendive Field Wiring. Entity parameters are shown in drawing 30688074 Mettler-Toledo GmbH, Im Langacher 44, 8606 Greifensee, Switzerland</p>
---	---	--

<p>NI CL I,II,III DIV 2 GP ABCDEFG T6 -40°C&lt;Ta&lt;60°C FM21US0076X</p> <hr/> <p>NI CL I,II,III DIV 2 GP ABCDEFG T6...T4 -40°C&lt;Ta&lt;60°C Class I, Zone 2, Ex ec IIC T6 Gc; Class II,III, Zone 22, Ex tc IIIC T80°C Dc FM21CA0051X</p>	 <p>C APPROVED US IP67</p>	 <p>II 3G Ex ic IIC T6...T4 Gc -40°C&lt;Ta&lt;60°C T5/T4 -40°C&lt;Ta&lt;40°C T6</p> <hr/> <p>II 3G Ex ec IIC T6 Gc U<sub>rated</sub>=20V II 3D Ex tc IIIC T80°C Dc I<sub>rated</sub>=50mA -40°C&lt;Ta&lt;60°C</p> <hr/> <p>Entity/NIFW for NonIncendive Field Wiring. Entity parameters are shown in drawing 30688074 Mettler-Toledo GmbH, Im Langacher 44, 8606 Greifensee, Switzerland</p>
---	---	--





### 8.3 Installationsritning

#### Hazardous (Classified) Location

IP67 II 3G Ex ic IIC T6...T4 Gc  
-40°C ≤ T<sub>a</sub> ≤ 60°C T5/T4; -40°C ≤ T<sub>a</sub> ≤ 40°C T6

II 3G Ex ec IIC T6 Gc -40°C ≤ T<sub>a</sub> ≤ 60°C T6  
II 3D Ex tc IIC T80°C Dc  
FM21UKEX0080X  
FM21ATEX0025X IECEX FMG21.0003X

---

II 2G Ex ia IIC T6...T4 Gb  
-40°C ≤ T<sub>a</sub> ≤ 60°C T5/T4; -40°C ≤ T<sub>a</sub> ≤ 40°C T6

II 2D Ex ia IIC T80°C Db  
FM21UKEX0079X  
FM21ATEX0003X IECEX FMG21.0003X

**Approval Mark**

THIS ITEM IS PART OF AGENCY APPROVED PRODUCT

Metrology  
 Safety  
 Ex

DO NOT CHANGE DOCUMENT WITHOUT APPROPRIATE APPROVAL

SLP84x Load Cell

U<sub>i</sub> = 20V  
I<sub>i</sub> = see table 2  
P<sub>i</sub> = see table 2  
C<sub>i</sub> = 6nF  
L<sub>i</sub> = 30uH

+Excitation(Green)

-Excitation(Black)

+SEN(Yellow)

-SEN(Blue)

+Signal(White)

-Signal(Red)

Ex Approved Associated Apparatus with Entity Concept Parameters

U<sub>o</sub> ≤ U<sub>i</sub>  
I<sub>o</sub> ≤ I<sub>i</sub>  
P<sub>o</sub> ≤ P<sub>i</sub>  
C<sub>o</sub> ≥ C<sub>c</sub>+C<sub>i</sub>  
L<sub>o</sub> ≥ L<sub>c</sub>+L<sub>i</sub>

Scale structure (attached to load cell) to be connected to system safety ground. See Note.

**NOTES:**

- 1.The resistance between all safety ground connections and the system grounding electrode must not exceed 1ohm.
- 2.Installation shall be in accordance with relevant electrical installation standards (Being shown in Table 1)in hazardous areas(other than mines).
- 3.Entity Parameters C<sub>i</sub> And L<sub>i</sub> Include Maximum Load Cell Cable Length Of 30m
- 4.Entity Parameters C<sub>c</sub> and L<sub>c</sub> is the capacitance and inductance of cable connect between load cell and the associated apparatus.
- 5.In an explosive atmosphere caused by air/dust mistures, the loose ends of the cable shall be connected outside the hazardous area or in a suitable enclosure with a degree of protection of at least IP6X in accordance with EN 60529.
- 6.For the application of Ex ec, Ex tc: U<sub>rated</sub>=20V,I<sub>rated</sub>=50mA.
- 7.Installation of load cell needs to be done in such way that enclosure welded caps are physically obstructed from any possible impact.
8. ⚠ Not following these instructions will jeopardize the explosion safety.
9. For the application of Ex ec, The equipment shall only be used in an area of at least pollution degree 2, as defined in IEC 60664-1.

Table 1

EN60079-0: 2018	EN60079-14: 2014	EN60079-11: 2012	EN60079-31: 2014
EN61241-14: 2004	EN60079-31: 2013	EN60079-7: 2015	IEC60079-31: 2013
IEC 60079-0-2017	IEC 60079-11-2011	IEC 60079-14-2013	IEC60079-7: 2015

Table 2

Temperature class	P <sub>i</sub>	I <sub>i</sub>
T4	2.1W	800mA
T5	1.2W	600mA
T6	0.6W	600mA

Mettler-Toledo GmbH, Im Langacher 44, 8606 Greifensee, Switzerland  
Mettler-Toledo Ltd. 64 Boston Rd.Leicester, LE4 1AW, United Kingdom

D	update drawing status	Wang jianwen	Liu yuchun		2021-7-26
C	removed Ex nA of note6	Wang jianwen	Liu yuchun		2021-1-15
REV / CHG	DESCRIPTION	BY	APPVD	AGENCY	E.R. No. DATE

RECORD OF CHANGES					
<b>METTLER TOLEDO</b>	MTCZ	Drawn	Wang JW	2020/05/11	Scale 1:1
	CN-213022 ChangZhou	Change			Format mt_A4
Refer to protection notice ISO 16016 / Schutzvermerk ISO 16016 beachten		Note	-		Replaces -
Description 防爆安装图 SLP84X		ERP NO.			ERP Rev
<b>INSTALLATION DRAWING SLP84X ATEX/IECEX</b>			<b>30555321</b>		<b>D</b>
External Design No.:D000644580		External Design Rev.:D		Status:Approved	Mass: Units:mm 1/1

AutoCAD Mechanical Template V0.2

SV





# METTLER TOLEDO Service

Tillykke med dit nye præcise kvalitetsprodukt fra METTLER TOLEDO. Korrekt brug af dit nye udstyr i overensstemmelse med denne manual samt regelmæssig kalibrering og vedligeholdelse udført af vores uddannede servicemedarbejdere beskytter din investering og sikrer, at udstyret er pålideligt og nøjagtigt. Kontakt os for at høre mere om mulighederne for en skræddersyet serviceaftale, der passer til dit behov og budget. Du kan finde yderligere oplysninger på ► [www.mt.com/service](http://www.mt.com/service).

Du kan sikre, at din investering udnyttes maksimalt, på flere vigtige måder:

- 1 **Registrer dit produkt:** Vi opfordrer dig til at registrere dit produkt på [www.mt.com/productregistration](http://www.mt.com/productregistration) så vi kan kontakte dig om forbedringer, opdateringer og vigtige oplysninger vedrørende dit produkt.
- 2 **Kontakt METTLER TOLEDO vedrørende service:** Værdien af en måling er proportional med dens nøjagtighed – en vægt, der er uden for specifikationerne, kan medføre forringet kvalitet, reduceret indtjening og øget ansvar. Rettidig service fra METTLER TOLEDO sikrer nøjagtighed og optimerer oppe tiden og udstyrets levetid.
  - ➔ **Installation, konfiguration, integration og uddannelse:** Vores serviceteknikere er uddannet på fabrikken og er eksperter i vejestyr. Vi sikrer, at dit vejestyr er klar til produktion omkostningseffektivt og rettidigt, og at personalet er uddannet til at sikre succesfulde resultater.
  - ➔ **Dokumentation for indledende kalibrering:** Installationsmiljøet og kravene til anvendelsesområdet er unikke for hver enkelt industrivægt, så ydeevnen skal testes og certificeres. Vores kalibreringsydelser og certifikater dokumenterer nøjagtighed med det formål at sikre produktionskvalitet og levere et kvalitetssystem med dokumenteret ydeevne.
  - ➔ **Periodisk kalibreringsvedligeholdelse:** En serviceaftale om kalibrering sikrer, at du altid kan have tillid til din vejeprocess, og at du har dokumentation for overholdelse af kravene. Vi tilbyder mange forskellige typer af serviceordninger, der er tilrettelagt, så de opfylder dine behov og tager højde for dit budget.



# Indholdsfortegnelse

<b>1</b>	<b>Sikkerhedsanvisninger</b>	<b>3</b>
1.1	Tilsluttet brug .....	3
1.2	Forkert brug .....	3
1.3	Sikkerhedsforanstaltninger .....	3
1.4	Særlige betingelser for brug .....	3
<b>2</b>	<b>Introduktion</b>	<b>4</b>
2.1	Sortiment .....	4
2.2	Om denne brugervejledning .....	4
2.3	Yderligere dokumenter .....	4
<b>3</b>	<b>Installation og betjening</b>	<b>5</b>
3.1	Tilslutning af vejeplatformen til vejeterminalen .....	5
3.2	Nivellering .....	6
3.3	Ækvipotentiel tilslutning .....	6
3.4	Kontrol af vejeplatformene .....	6
3.5	Betjening af vejeplatformen .....	7
3.6	Installation, konfiguration, service og reparation .....	8
<b>4</b>	<b>Vedligeholdelse</b>	<b>9</b>
4.1	Bemærkninger vedrørende rengøring .....	9
4.2	Efterbehandling .....	9
4.3	Bortskaffelse .....	9
<b>5</b>	<b>Reparation</b>	<b>10</b>
<b>6</b>	<b>Tekniske data og driftsgrænser</b>	<b>11</b>
6.1	Maksimalt verifikationsvægtinterval .....	11
6.2	Tilladt totalvægt .....	11
6.3	Tekniske data for vejecellen .....	12
6.3.1	Ex-godkendelse .....	12
6.3.2	Vejecellen opfylder følgende standarder .....	12
6.4	Mål .....	14
6.5	Information om kapacitetsforbelastning .....	15
6.5.1	Forbelastningstabel i kilo .....	16
6.5.2	Forbelastningstabel i pound .....	18
6.6	Tilbehør .....	20
<b>7</b>	<b>Monteringsmuligheder</b>	<b>21</b>
<b>8</b>	<b>Bilag</b>	<b>22</b>
8.1	Typeskilt .....	22
8.2	Kontroltegning .....	23
8.3	Installationstegning .....	24



# 1 Sikkerhedsanvisninger

## 1.1 Tilsigtet brug

Vejepplatforme PBA639(x/xx) er en del af et modulopbygget vejesystem, der består af en METTLER TOLEDO-vejeterminal som indikator og mindst én vejepplatform.

- Brug kun vejepplatformen til vejning i overensstemmelse med denne vejledning.
- Vejepplatformen er udelukkende beregnet til indendørs brug.
- Kun vejepplatformen PBA639x/xx er velegnet til brug i farlige miljøer som angivet nedenfor.
- Enhver anden brug betragtes som utilsigtet.

### Lovreguleret måling

- Brug kun godkendte vejepplatforme til lovreguleret måling.
- Ved brug til lovreguleret måling er driftsselskabet ansvarligt for at overholde alle nationale krav til vejning og måling.
- Kontakt METTLER TOLEDOS serviceorganisation i tilfælde af spørgsmål vedrørende brug i lovlige handelsapplikationer.

## 1.2 Forkert brug

- Brug ikke vejeterminalen til andet end vejning.
- Vejepplatformen må ikke anvendes i andre miljøer end dem, der er angivet i --- MISSING LINK ---.
- Undlad at foretage ændringer på vejepplatformen.
- Brug ikke vejeterminalen uden for de grænser, der er angivet i de tekniske specifikationer.
- Brug ikke vejepplatformen til opbevaring af varer.
- Undgå, at der falder varer ned på vejepplatformen.

## 1.3 Sikkerhedsforanstaltninger

- Vejepplatformen skal installeres og vedligeholdes af teknikere, der er uddannet og godkendt af METTLER TOLEDO.
- Vær forsigtig ved transport og løft af tunge enheder.
- Vejepplatformen skal altid kobles fra strømkilden, før installation, service, rengøring eller vedligeholdelse foretages.
- Tilslutningskablet kan muligvis ikke kobles fra vejeterminalen, mens strømmen er tilsluttet.
- Kontrollér, at vejepplatformen har rumtemperatur, før strømforsyningen tilsluttes.
- De eksplosionsbeskyttede vejepplatforme PBA639x/xx er godkendt til brug i følgende farlige områder:
  - ATEX/IECEx-kategori 2, -kategori 3, gas/støv (zone 1/21, zone 2/22)
  - cFMus, klasse I,II,III, Div. 1, Div. 2
- Der er øget risiko for skade på personer og ejendom, når vejepplatformene bruges i farlige områder! Der skal udvises særlig stor forsigtighed under arbejde i sådanne områder.
- Til vejepplatformen PBA639x/xx skal der altid anvendes kabelforskrutninger, som er velegnede og godkendt til farlige områder, når vejecellens kabel føres ind i vejeterminalen.
- Eksplosionsbeskyttede vejepplatforme må kun bruges i farlige områder sammen med vejeterminaler med de relevante godkendelser og grænsefladespecifikationer.

## 1.4 Særlige betingelser for brug

- I en eksplosiv atmosfære, der skyldes luft-/støvfugt, skal de løse ender af kablet tilsluttes uden for det farlige område eller i et passende kabinet med en kapslingsklasse på mindst IP6X i henhold til IEC/EN 60529.

## 2 Introduktion

### 2.1 Sortiment

Denne brugervejledning fokuserer på produktserien PBA639(x/xx).

Serien PBA639(x/xx) indeholder forskellige vejepladformer, så du kan let finde en, der passer til dit behov. De kan godkendes og fås i forskellige størrelser og kapaciteter

Type	Vejepladens materiale	Vægtrammens materiale	Vejecellens opbygning	Miljøets IP-klasse	Faregodkendelse
PBA639	Rustfrit stål	Rustfrit stål	Rustfrit stål, hermetisk forseglet	Tørt, vådt, IP68/IP69K	-
PBA639x	AISI304, ekstratilbehør /	AISI304			Zone 1/21, Div 1
PBA639xx	Rustfrit stål AISI316L, ekstratilbehør / Rustfrit stål AISI316L, åben tallerken, ekstratilbehør				Zone 2/22, Div 2

### 2.2 Om denne brugervejledning



Denne brugervejledning indeholder alle oplysninger til operatøren af produktet.

- Læs brugervejledningen omhyggeligt før brug.
- Gem brugervejledningen, så du har den til fremtidig reference.
- Giv brugervejledningen videre til en eventuel fremtidig ejer eller bruger af produktet.

### 2.3 Yderligere dokumenter

Ud over brugervejledningen kan du også downloade følgende dokumenter fra ► [www.mt.com](http://www.mt.com):

- Brochure
- Installationsoplysninger (til uddannet personale, der er under driftsselskabets kontrol)
- Typegodkendelsesdokumenter

#### Download af certifikat

US-, Canada-, ATEX-, UKEX- og IECEx-certifikater kan downloades fra

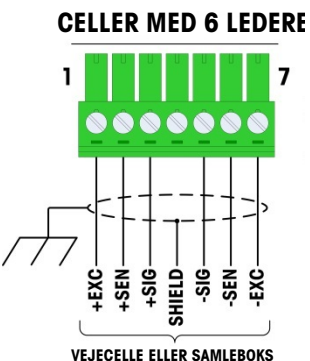
► <https://www.mt.com/us/en/home/search/compliance.html/compliance/>.

## 3 Installation og betjening

### 3.1 Tilslutning af vejeplatformen til vejeterminalen

Vejeplatformene PBA639(x/xx) er designet til brug med analoge METTLER TOLEDO vejeterminaler.

- 1 Før vejeplatformens kabel gennem kabelforskrningen og ind i vejeterminalen.
- 2 Tilslut vejeplatformens kabel til klemmerækken på vejeterminalen som vist i tabellen nedenfor.

Signal	Lederfarve	Stik
SIG+	Hvid	
SIG-	Rød	
EXC+	Grøn	
EXC-	Sort	
SEN+	Gul	
SEN-	Blå	



#### **ADVARSEL**

**Kabelskærmningen skal jordforbindes.**

#### Sikkerhedsforanstaltninger for tilslutninger

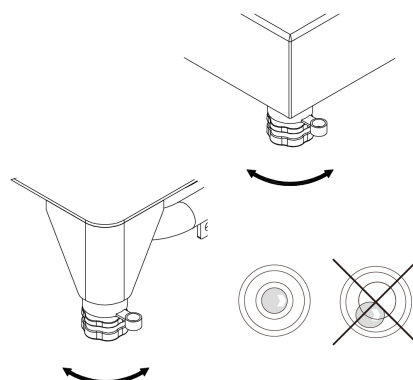
- Ved tilslutning af vejeplatformen i et farligt område skal kravene fra kontroltegningen vedlagt som [Bilag ▶ side 22] overholdes nøje.
- Kontrollér de særlige betingelser for sikker brug på tegningerne og certifikaterne i [Bilag ▶ side 22].
- Kabelskærmningen er forbundet med vejecellens fjederelement (vejecellens korpus). Vær opmærksom på, at vejecellen og klemmen (eller samleboksen) forbindes korrekt afhængigt af installationsforholdene.
- Modstanden mellem alle sikkerhedsjordforbindelser og systemets jordingselektrode må ikke overstige 1 ohm.
- Installationen skal udføres i overensstemmelse med gældende standarder for elektrisk installation.
- Hvis disse instruktioner ikke følges, bringes eksplosionssikkerheden i fare.

## 3.2 Nivellering

For at vejeplatformene skal kunne levere et præcist vandret vejeresultat, skal de være nivelleret nøjagtigt. Vejeplatformen skal nivelleres under den første installation og hver gang, den flyttes.

- 1 Drej på vejeplatformens justerbare fødder, indtil luftboblen i vaterpasset befinder sig i den inderste cirkel.
- 2 Spænd låsemøtrikkerne på de justerbare fødder.

👉 Scan QR-koden for at se videoen

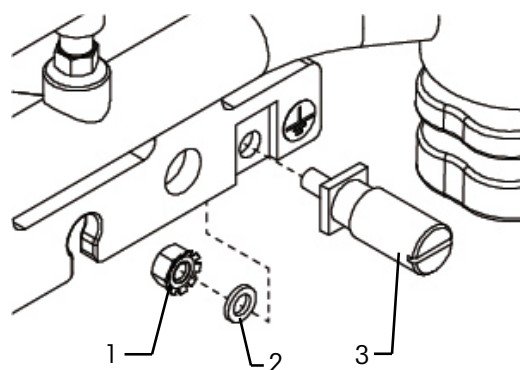


## 3.3 Ækvipotentiel tilslutning

Den ækvipotentielle tilslutning for vejeplatformene PBA639x/xx er monteret fra fabrikken. Kablerne skal monteres hos kunden af en autoriseret elektriker. METTLER TOLEDO service har udelukkende en tilsynsførende og rådgivende funktion i denne forbindelse. Forbind den ækvipotentielle tilslutning (PA) på alle enheder (vejeplatform og vejeterminal) i henhold til de regler og standarder, der er gældende i det pågældende land. Kontroller desuden, at alle enheders kabinetter kobles til det samme potentiale via PA-terminalen.

### Bemærk

Udstyret er beskyttet mod elektrisk stød iht. IEC60950, klasse II.



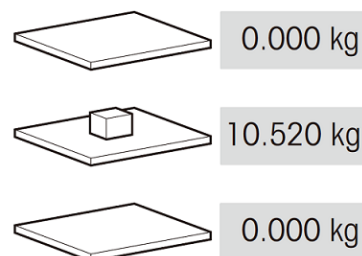
- 1 - Sekskantlåsemøtrik, M4 KEPS
- 2 - Skive
- 3 - Ækvipotentiel tilslutningsklemme, tilspændingsmoment 3,5 Nm

Ordrenummer for ækvipotentiel tilslutningssæt 72237321

## 3.4 Kontrol af vejeplatformene

### Funktionskontrol

- 1 Sørg for, at vejeplatformen er tilsluttet til en vejeterminal, og at vejeterminalen er tændt.
- 2 Sørg for, at vejeplatformen er uden vægt, og at displayet på vejeterminalen viser 0.
- 3 Fyld vægt på vejeplatformen. Vejeterminalen skal vise en værdi forskellig fra 0.
- 4 Fjern vægten fra vejeplatformen. Vejeterminalen skal returnere til 0.



### Verifikationstest

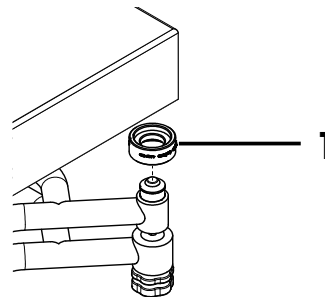
Oplysninger om verifikationstest findes i brugervejledningen til den tilsluttede vejeterminal. Hvis verifikationsseglet er brudt, er verifikationen ikke længere gyldig.



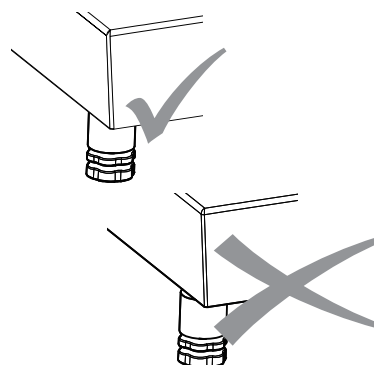
### 3.5 Betjening af vejeplatformen

For at opnå de bedst mulige vejeresultater skal følgende regler overholdes:

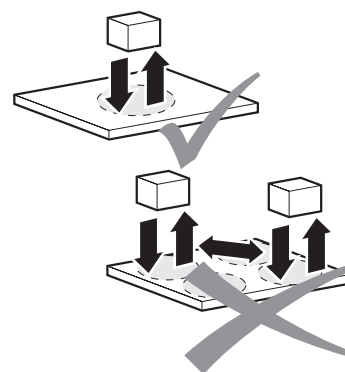
- Hvis vejningsplatformen leveres med transport beskyttelsespudder (1) under plastplader, skal du fjerne transport beskyttelsespudder, før du bruger den.



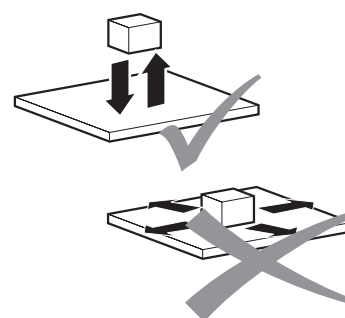
- Sørg for, at belastningspladen er korrekt på plads.



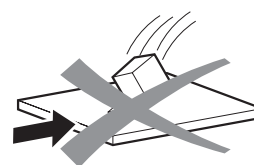
- For at opnå de bedst mulige vejeresultater skal det emne, der skal vejes, altid placeres det samme sted på vejeplatformen.



- Undgå processer, der har en slibende effekt eller medfører slitage.



- Undgå faldende belastninger, stød og sideværts påvirkninger.



### **3.6 Installation, konfiguration, service og reparation**

Ring til METTLER TOLEDO service angående installation, konfiguration, service og reparation af vejeplatforme.

## 4 Vedligeholdelse

### 4.1 Bemærkninger vedrørende rengøring

#### Bemærk

##### Forkert brug af rengøringsmidler kan beskadige vejeplatformen.

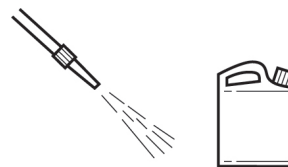
- Brug kun desinficerende midler og rengøringsmidler i overensstemmelse med producentens anvisninger.
- Brug ikke meget syreholdige, basiske eller klorholdige rengøringsmidler. Undgå midler med høj eller lav pH-værdi, da disse skaber øget risiko for korrosion.
- Vær særlig omhyggelig ved rengøring af vejecellen.

#### Rengøring

- Fjern regelmæssigt snavs og aflejringer på ydersiden og indersiden af vejeplatformen.
  - ➔ Fremgangsmåden afhænger både af overfladetypen og af de miljømæssige forhold på installationsstedet.

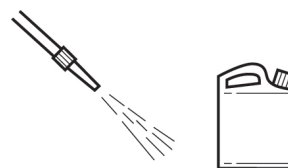
##### Rengøring i et vådt miljø (modeller i rustfrit stål)

- Rengør med vandstråle op til 80 °C / 176 °F og maks. 80 bar, minimumafstand 40 cm / 16".
- Brug rengøringsmidler til husholdningsbrug.



##### Rengøring i et korrosionsfremmende miljø (modeller i rustfrit stål)

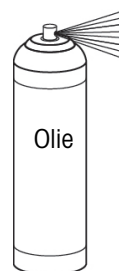
- Rengør med vandstråle.
  - Indvendig rengøring**, vejecelle, vejeplade åbnet: op til 60 °C / 140 °F og maks. 2 bar, minimumafstand 40 cm / 16".
  - Udvendig rengøring**, vejecelle lukket: op til 80 °C / 176 °F og maks. 80 bar, minimumafstand 40 cm / 16".
- Fjern regelmæssigt korrosionsfremmende stoffer.
- Brug kun desinficerende midler og rengøringsmidler i overensstemmelse med producentens specifikationer og anvisninger.



### 4.2 Efterbehandling

For at beskytte vægten skal følgende efterbehandling udføres:

- Skyl vægten med rent vand, og fjern rengøringsmidlet helt.
- Tør vægten af med en fnugfri klud.
- Behandl vægte af rustfrit stål indvendigt og udvendigt med olie, der er egnet til fødevarer.



### 4.3 Bortskaffelse

I overensstemmelse med EU-direktiv 2012/19/EU om affald af elektrisk og elektronisk udstyr (WEEE) må denne enhed ikke bortskaffes som husholdningsaffald. Dette gælder også for lande uden for EU, i henhold til deres specifikke krav.

Bortskaf venligst dette produkt i overensstemmelse med de lokale love og regler og på det indsamlingssted, der er beregnet til elektrisk og elektronisk udstyr. Hvis du har spørgsmål, bedes du kontakte de ansvarlige myndigheder eller den forhandler, hvor du har købt enheden. Hvis enheden overdrages til andre, skal der også relateres til indholdet i denne bestemmelse.



## 5 Reparation

Udstyret er certificeret til brug i farlige områder, derfor er det ikke tilladt at foretage ændringer. Reparationer må kun udføres af personale, som er uddannet specifikt til reparation af dette udstyr.

## 6 Tekniske data og driftsgrænser

### 6.1 Maksimalt verifikationsvægtinterval

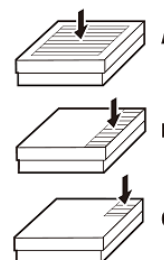
Maks. verifikationsvægtinterval [e] / OIML	Kapacitet							
	3 kg	6 kg	15 kg	30 kg	60 kg	150 kg	300 kg	600 kg
2 x 3000e MR	-	3 / 0.001	6 / 0.002	15 / 0.005	30 / 0.01	60 / 0.02	150 / 0.05	300 / 0.1
Max / e [kg]		6 / 0.002	15 / 0.005	30 / 0.01	60 / 0.02	150 / 0.05	300 / 0.1	600 / 0.2

Maks. verifikationsvægtinterval [d] / NTEP	Kapacitet							
	-	10 lb	25 lb	50 lb	100 lb	250 lb	500 lb	1000 lb
1 x 5000d Max / d [lb]	-	10 / 0.002	25 / 0.005	50 / 0.01	100 / 0.02	250 / 0.05	500 / 0.1	1000 / 0.2

### 6.2 Tilladt totalvægt

Alle vejepalterne er udstyret med overbelastningsbeskyttelse. Det robuste vægtdesign betyder, at platformens mærkekapacitet af og til kan overskrides, uden at der sker skader på enheden. Den maksimale sikre statiske belastning må aldrig overskrides.

- Følgende driftsgrænser skal overholdes.



Model	A - Centreret belastning	B - Belastning i en af siderne	C - Belastning i et af hjørnerne
PBA639(x/xx)-QA	50 kg / 110 lb	35 kg / 77 lb	20 kg / 44 lb
PBA639(x/xx)-A	50 kg / 110 lb	35 kg / 77 lb	20 kg / 44 lb
PBA639(x/xx)-QB	120 kg / 265 lb	80 kg / 176 lb	40 kg / 88 lb
PBA639(x/xx)-BB	120 kg / 265 lb	80 kg / 176 lb	40 kg / 88 lb
PBA639(x/xx)-B	220 kg / 485 lb	150 kg / 331 lb	80 kg / 176 lb
PBA639(x/xx)-BC	450 kg / 992 lb	350 kg / 772 lb	180 kg / 397 lb
PBA639(x/xx)-CC	750 kg / 1653 lb	400 kg / 882 lb	200 kg / 440 lb



#### **ADVARSEL**

Undgå belastning som følge af tab af enheden, stødbelastning samt slag fra siden.

### 6.3 Tekniske data for vejecellen

Mærkeeffekt	mV/V	1,8 ± 0,2
Indgangsresistans	Ω	384 ± 15
Udgangsresistans	Ω	350 ± 4
Anbefalet spænding	V (DC / AC)	5 - 15
Maks. magnetiseringsspænding	V (DC / AC)	20
Kabelkappe	-	PVC
IP-klasse	-	IP68/IP69K

#### 6.3.1 Ex-godkendelse

Dette afsnit omhandler udelukkende produktets Ex-relevante egenskaber.

Vejecellen SLP84x(x=6,7,8) har:

ATEX-certifikat	FM21ATEX0003X, FM21ATEX0025X
UK-certifikat	FM21UKEX0079X, FM21UKEX0080X
IECEX-certifikat	IECEX FMG21.0003X
US-certifikat	FM21US0005X
Canadisk certifikat	FM21CA0002X

Ovennævnte certifikater og de tilhørende installationstegninger fremgår af [Bilag ▶ side 22].

#### 6.3.2 Vejecellen opfylder følgende standarder

##### US-standarder

Titel	Nummer	Udstedelses-dato
Elektrisk udstyr til brug i farlige (klassificerede) områder – Generelle krav	FM-klasse 3600	2018
Egensikkert udstyr og tilhørende udstyr til brug i klasse I, II og III, Division 1, farlige (klassificerede) områder	FM-klasse 3610	2021
Ikke-antændelsesfarligt elektrisk udstyr til brug i farlige (klassificerede) områder defineret som klasse I og II, division 2 og klasse III, division 1 og 2	FM-klasse 3611	2021
Elektrisk udstyr til måling, betjening og laboratoriebrug	FM-klasse 3810	2021
Eksplorative atmosfærer - del 0: Udstyr - Generelle krav	ANSI/UL 60079-0	2019
Eksplorative atmosfærer - del 11: Udstyrsbeskyttelse via egensikkerhed "i"	ANSI/ISA 60079-11	2014
Ikke-antændelsesfarligt elektrisk udstyr til brug i farlige (klassificerede) områder defineret som klasse I og II, division 2 og klasse III, division 1 og 2	ANSI/UL 121201	2017
Sikkerhedskrav for elektrisk udstyr til måling, betjening og laboratoriebrug – del 1: Generelle krav	ANSI/UL 61010-1	2012
Kapslingsklasse ved hjælp af kabinet (IP-kode)	ANSI/IEC 60529	2020

##### Canadiske standarder

Titel	Nummer	Udstedelses-dato
Ikke-antændelsesfarligt elektrisk udstyr til brug i farlige områder defineret som klasse I, division 2	CSA C22.2 nr. 213	2017
Eksplorative atmosfærer - del 0: Udstyr - Generelle krav	CAN/CSA-C22.2 nr. 60079-0	2019
Eksplorative atmosfærer - del 11: Udstyrsbeskyttelse via egensikkerhed "i"	CAN/CSA-C22.2 nr. 60079-11	2014

Titel	Nummer	Udstedelses-dato
Eksplorative atmosfærer - del 7: Udstyrsbeskyttelse via egensikkerhed "e"	CAN/CSA-C22.2 nr. 60079-7	2018
Eksplorative atmosfærer - del 31: Udstyrsbeskyttelse mod støvantændelse ved hjælp af kabinet "t"	CAN/CSA-C22.2 nr. 60079-31	2015
Sikkerhedskrav for elektrisk udstyr til måling, betjening og laboratoriebrug – del 1: Generelle krav	CSA C22.2 nr. 61010-1	2012
Kapslingsklasse ved hjælp af kabinet (IP-kode)	CSA C22.2 nr. 60529	2016

### IECEx-standarder

Titel	Nummer	Udstedelses-dato
Eksplorative atmosfærer - del 0: Udstyr - Generelle krav	IEC 60079-0	2017
Eksplorative atmosfærer - del 11: Udstyrsbeskyttelse via egensikkerhed "i"	IEC 60079-11	2011
Eksplorative atmosfærer - del 7: Udstyrsbeskyttelse via egensikkerhed "e"	IEC 60079-7	2017
Eksplorative atmosfærer - del 31: Udstyrsbeskyttelse mod støvantændelse ved hjælp af kabinet "t"	IEC 60079-31	2013
Kapslingsklasse ved hjælp af kabinet (IP-kode)	IEC 60529	2013

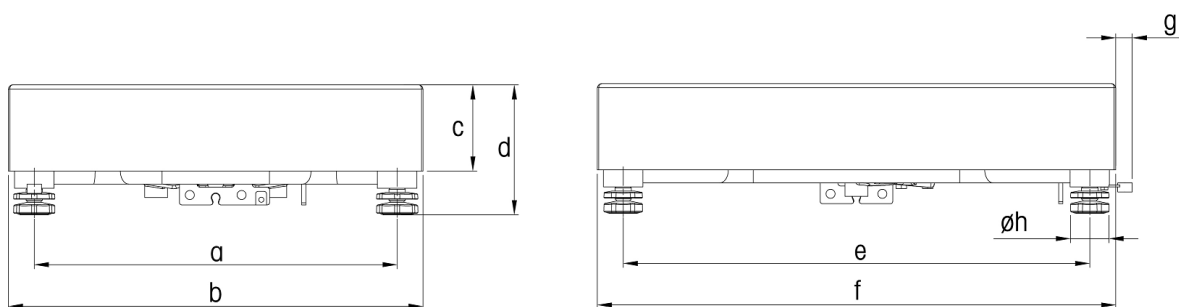
### ATEX-standarder

Titel	Nummer	Udstedelses-dato
Eksplorative atmosfærer - del 0: Udstyr - Generelle krav	EN IEC 60079-0	2018
Eksplorative atmosfærer - del 11: Udstyrsbeskyttelse via egensikkerhed "i"	EN 60079-11	2012
Eksplorative atmosfærer - del 7: Udstyrsbeskyttelse via egensikkerhed "e"	EN 60079-7	2015 +A1:2018
Eksplorative atmosfærer - del 31: Udstyrsbeskyttelse mod støvantændelse ved hjælp af kabinet "t"	EN 60079-31	2014
Kapslingsklasse ved hjælp af kabinet (IP-kode)	EN 60529	1991 + A1:2000 + A2:2013

### UKEX-standarder

Titel	Nummer	Udstedelses-dato
Eksplorative atmosfærer - del 0: Udstyr - Generelle krav	EN IEC 60079-0	2018
Eksplorative atmosfærer - del 11: Udstyrsbeskyttelse via egensikkerhed "i"	EN 60079-11	2012
Eksplorative atmosfærer - del 7: Udstyrsbeskyttelse via egensikkerhed "e"	EN 60079-7	2015 +A1:2018
Eksplorative atmosfærer - del 31: Udstyrsbeskyttelse mod støvantændelse ved hjælp af kabinet "t"	EN 60079-31	2014
Kapslingsklasse ved hjælp af kabinet (IP-kode)	EN 60529	1991 + A1:2000 + A2:2013

## 6.4 Mål

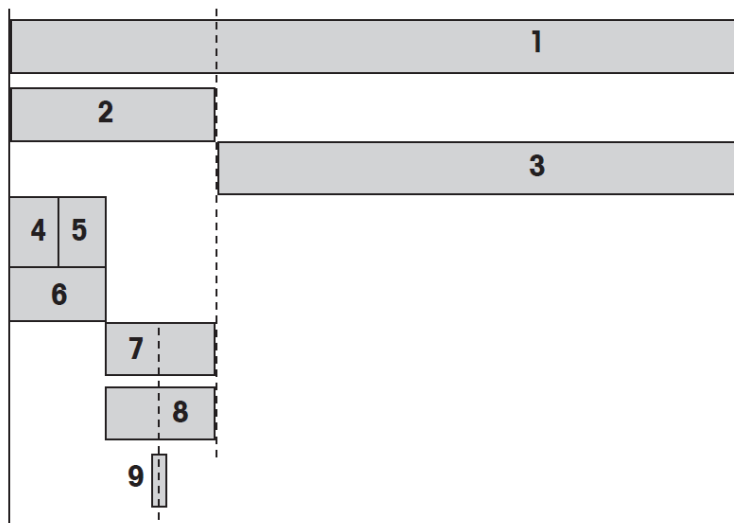


Mål		a	b	c	d *	e	f	g	h
PBA639(x/xx)-QA	mm	178	228	70	110	178	228	21	40
	inch	7,01	8,98	2,76	4,33	7,01	8,98	0,83	1,57
PBA639(x/xx)-A	mm	190	240	70	110	250	300	21	40
	inch	7,48	9,45	2,76	4,33	9,84	11,81	0,83	1,57
PBA639(x/xx)-QB	mm	255	305	70	110	255	305	21	40
	inch	10,04	12,01	2,76	4,33	10,04	12,01	0,83	1,57
PBA639(x/xx)-BB	mm	250	300	70	110	350	400	21	40
	inch	9,84	11,81	2,76	4,33	13,78	15,75	0,83	1,57
PBA639(x/xx)-B	mm	350	400	83	126	450	500	21	40
	inch	13,78	15,75	3,27	4,96	17,72	19,69	0,83	1,57
PBA639(x/xx)-BC	mm	450	500	90	134	600	650	21	40
	inch	17,72	19,69	3,54	5,28	23,62	25,59	0,83	1,57
PBA639(x/xx)-CC	mm	550	600	90	134	750	800	21	40
	inch	21,65	23,62	3,54	5,28	29,53	31,50	0,83	1,57
PBA639(x/xx)-CC600	mm	550	600	94	140,5	750	800	21	40
	inch	21,65	23,62	3,70	5,53	29,53	31,50	0,83	1,57

\* : d= min. platformshøjde. Med de justerbare fødder kan platformshøjden øges med maks. 5 mm / 0,20".



## 6.5 Information om kapacitetsforbelastning



<b>1</b>	Maks. belastningsområde for vejecellen ( $E_{max}$ )
<b>2</b>	Maks. forbelastning = Maks. belastningsområde <b>1</b> – Maks. belastning <b>3</b>
<b>3</b>	Maks. belastning = Maks. belastningsområde <b>1</b> – Maks. forbelastning <b>2</b>
<b>4</b>	Forbelastning, øverste område
<b>5</b>	Forbelastning, vejplade
<b>6</b>	Forbelastning fra fabrikken = Forbelastning, øverste område <b>4</b> + Forbelastning, vejplade <b>5</b>
<b>7</b>	Mekanisk forbelastningsreserve = Maks. forbelastning <b>2</b> – Forbelastning fra fabrikken <b>6</b>
<b>8</b>	Nulstillingsintervallet (tænding) kan indstilles. Nulstillingsintervallet skal ligge inden for den maksimale forbelastning. Nulstillingsintervallet må udgøre maks. 18 % af den maksimale belastning.
<b>9</b>	Nulstillingsintervallet $\pm 2$ % af den maksimale belastning

## 6.5.1 Forbelastningstabel i kilo

### PBA639(x/xx) med standardtallerken (304 / 316L)

Type	Mål [mm]	Maks. belastning (3)	Forbelastning, øverste område (4)	Forbelastning, vejeplade (5)	Forbelastning fra fabrikken (6)	Mek. Forbelastningsreserve (7)	Nulstillingsinterval (8)	Maks. belastningsinterval (1)
PBA639(x/xx)-QA3	228x228	3	0,71	1,90	2,61	5,39	0,54	11
PBA639(x/xx)-QA6	228x228	6	0,71	1,90	2,61	2,39	1,08	11
PBA639(x/xx)-A3	240x300	3	0,80	2,40	3,20	4,80	0,54	11
PBA639(x/xx)-A6	240x300	6	0,80	2,40	3,20	1,80	1,08	11
PBA639(x/xx)-A15	240x300	15	0,80	2,40	3,20	3,80	2,70	22
PBA639(x/xx)-QB15	305x305	15	1,42	2,80	4,22	2,78	2,70	22
PBA639(x/xx)-QB30	305x305	30	1,42	2,80	4,22	25,78	5,40	60
PBA639(x/xx)-QB60	305x305	60	1,42	2,80	4,22	35,78	10,80	100
PBA639(x/xx)-BB30	300x400	30	2,00	3,50	5,50	24,50	5,40	60
PBA639(x/xx)-BB60	300x400	60	2,00	3,50	5,50	34,50	10,80	100
PBA639(x/xx)-B30	400x500	30	3,99	5,50	9,49	20,51	5,40	60
PBA639(x/xx)-B60	400x500	60	3,99	5,50	9,49	30,51	10,80	100
PBA639(x/xx)-B150	400x500	150	3,99	5,50	9,49	40,51	27,00	200
PBA639(x/xx)-BC60	500x650	60	6,93	8,40	15,33	24,67	10,80	100
PBA639(x/xx)-BC150	500x650	150	6,93	8,40	15,33	84,67	27,00	250
PBA639(x/xx)-BC300	500x650	300	6,93	8,40	15,33	184,67	54,00	500
PBA639(x/xx)-CC60	600x800	60	10,53	11,50	22,03	17,97	10,80	100
PBA639(x/xx)-CC150	600x800	150	10,53	11,50	22,03	77,97	27,00	250
PBA639(x/xx)-CC300	600x800	300	10,53	11,50	22,03	177,97	54,00	500
PBA639(x/xx)-CC600	600x800	600	10,53	14,70	25,23	124,77	108,00	750

### PBA639(x/xx) med åben tallerken (304 / 316L)

Type	Mål [mm]	Maks. belastning (3)	Forbelastning, øverste område (4)	Forbelastning, vejeplade (5)	Forbelastning fra fabrikken (6)	Mek. Forbelastningsreserve (7)	Nulstillingsinterval (8)	Maks. belastningsinterval (1)
PBA639(x/xx)-QA3	228x228	3	0,71	1,20	1,91	6,09	0,54	11
PBA639(x/xx)-QA6	228x228	6	0,71	1,20	1,91	3,09	1,08	11
PBA639(x/xx)-A3	240x300	3	0,80	1,50	2,30	5,70	0,54	11
PBA639(x/xx)-A6	240x300	6	0,80	1,50	2,30	2,70	1,08	11
PBA639(x/xx)-A15	240x300	15	0,80	1,50	2,30	4,70	2,70	22
PBA639(x/xx)-QB15	305x305	15	1,42	1,80	3,22	3,78	2,70	22
PBA639(x/xx)-QB30	305x305	30	1,42	1,80	3,22	26,78	5,40	60
PBA639(x/xx)-QB60	305x305	60	1,42	1,80	3,22	36,78	10,80	100
PBA639(x/xx)-BB30	300x400	30	2,00	2,30	4,30	25,70	5,40	60
PBA639(x/xx)-BB60	300x400	60	2,00	2,30	4,30	35,70	10,80	100
PBA639(x/xx)-B30	400x500	30	3,99	5,60	9,59	20,41	5,40	60
PBA639(x/xx)-B60	400x500	60	3,99	5,60	9,59	30,41	10,80	100
PBA639(x/xx)-B150	400x500	150	3,99	5,60	9,59	40,41	27,00	200

**PBA639(x/xx) med ingen tallerken**

Type	Mål [mm]	Maks. belastning (3)	Forbelastning, øverste område (4)	Forbelastning, vejeplade (5)	Forbelastning fra fabrikken (6)	Mek. Forbelastningsreserve (7)	Nulstillingsinterval (8)	Maks. belastningsinterval (1)
PBA639(x/xx)-QA3	228x228	3	0,71	0	0,71	7,286	0,54	11
PBA639(x/xx)-QA6	228x228	6	0,71	0	0,71	4,29	1,08	11
PBA639(x/xx)-A3	240x300	3	0,80	0	0,80	7,20	0,54	11
PBA639(x/xx)-A6	240x300	6	0,80	0	0,80	4,20	1,08	11
PBA639(x/xx)-A15	240x300	15	0,80	0	0,80	6,20	2,70	22
PBA639(x/xx)-QB15	305x305	15	1,42	0	1,42	5,58	2,70	22
PBA639(x/xx)-QB30	305x305	30	1,42	0	1,42	28,58	5,40	60
PBA639(x/xx)-QB60	305x305	60	1,42	0	1,42	38,58	10,80	100
PBA639(x/xx)-BB30	300x400	30	2,00	0	2,00	28,00	5,40	60
PBA639(x/xx)-BB60	300x400	60	2,00	0	2,00	38,00	10,80	100
PBA639(x/xx)-B30	400x500	30	3,99	0	3,99	26,01	5,40	60
PBA639(x/xx)-B60	400x500	60	3,99	0	3,99	36,01	10,80	100
PBA639(x/xx)-B150	400x500	150	3,99	0	3,99	46,01	27,00	200
PBA639(x/xx)-BC60	500x650	60	6,93	0	6,93	33,07	10,80	100
PBA639(x/xx)-BC150	500x650	150	6,93	0	6,93	93,07	27,00	250
PBA639(x/xx)-BC300	500x650	300	6,93	0	6,93	193,07	54,00	500
PBA639(x/xx)-CC60	600x800	60	10,53	0	10,53	29,47	10,80	100
PBA639(x/xx)-CC150	600x800	150	10,53	0	10,53	89,47	27,00	250
PBA639(x/xx)-CC300	600x800	300	10,53	0	10,53	189,47	54,00	500
PBA639(x/xx)-CC600	600x800	600	10,53	0	10,53	139,47	108,00	750

## 6.5.2 Forbelastningstabel i pound

### PBA639(x/xx) med standardtallerken (304 / 316L)

Type	Mål [inch]	Maks. be- last- ning (3)	Forbe- last- ning, øverste område (4)	Forbelast- ning, veje- plade (5)	Forbe- lastning fra fa- brikken (6)	Mek. For- belast- ningsre- serve (7)	Nulstil- lings- interval (8)	Maks. belast- nings- interval (1)
PBA639(x/xx)-QA6	9x9	10	1,57	4,19	5,76	8,49	1,8	24
PBA639(x/xx)-A6	9,5x11,8	10	1,75	5,29	7,05	7,20	1,8	24
PBA639(x/xx)-A15	9,5x11,8	25	1,75	5,29	7,05	16,46	4,5	49
PBA639(x/xx)-QB15	12x12	25	3,13	6,17	9,30	14,20	4,5	49
PBA639(x/xx)-QB30	12x12	50	3,13	6,17	9,30	72,98	9,0	132
PBA639(x/xx)-QB60	12x12	100	3,13	6,17	9,30	111,16	18,0	220
PBA639(x/xx)-BB30	11,8x15,7	50	4,41	7,72	12,12	70,15	9,0	132
PBA639(x/xx)-BB60	11,8x15,7	100	4,41	7,72	12,12	108,34	18,0	220
PBA639(x/xx)-B30	15,7x19,7	50	8,79	12,13	20,92	61,36	9,0	132
PBA639(x/xx)-B60	15,7x19,7	100	8,79	12,13	20,92	99,55	18,0	220
PBA639(x/xx)-B150	15,7x19,7	250	8,79	12,13	20,92	170,01	45,0	441
PBA639(x/xx)-BC60	19,7x25,6	100	15,27	18,52	33,79	86,67	18,0	220
PBA639(x/xx)-BC150	19,7x25,6	250	15,27	18,52	33,79	267,37	45,0	551
PBA639(x/xx)-BC300	19,7x25,6	500	15,27	18,52	33,79	568,52	90,0	1102
PBA639(x/xx)-CC60	23,6x29,5	100	23,21	25,35	48,56	71,90	18,0	220
PBA639(x/xx)-CC150	23,6x29,5	250	23,21	25,35	48,56	252,60	45,0	551
PBA639(x/xx)-CC300	23,6x29,5	500	23,21	25,35	48,56	553,75	90,0	1102
PBA639(x/xx)-CC600	23,6x29,5	1000	23,21	32,41	55,61	597,85	180,0	1653

### PBA639(x/xx) med åben tallerken (304 / 316L)

Type	Mål [inch]	Maks. be- last- ning (3)	Forbe- last- ning, øverste område (4)	Forbelast- ning, veje- plade (5)	Forbe- lastning fra fa- brikken (6)	Mek. For- belast- ningsre- serve (7)	Nulstil- lings- interval (8)	Maks. belast- nings- interval (1)
PBA639(x/xx)-QA6	9x9	10	1,57	2,65	4,22	10,03	1,8	24
PBA639(x/xx)-A6	9,5x11,8	10	1,75	3,31	5,06	9,19	1,8	24
PBA639(x/xx)-A15	9,5x11,8	25	1,75	3,31	5,06	18,44	4,5	49
PBA639(x/xx)-QB15	12x12	25	3,13	3,97	7,10	16,41	4,5	49
PBA639(x/xx)-QB30	12x12	50	3,13	3,97	7,10	75,18	9,0	132
PBA639(x/xx)-QB60	12x12	100	3,13	3,97	7,10	113,37	18,0	220
PBA639(x/xx)-BB30	11,8x15,7	50	4,41	5,07	9,48	72,80	9,0	132
PBA639(x/xx)-BB60	11,8x15,7	100	4,41	5,07	9,48	110,98	18,0	220
PBA639(x/xx)-B30	15,7x19,7	50	8,79	12,35	21,14	61,14	9,0	132
PBA639(x/xx)-B60	15,7x19,7	100	8,79	12,35	21,14	99,33	18,0	220
PBA639(x/xx)-B150	15,7x19,7	250	8,79	12,35	21,14	169,79	45,0	441

**PBA639(x/xx) med ingen tallerken**

Type	Mål [inch]	Maks. be- last- ning (3)	Forbe- last- ning, øverste område (4)	Forbelast- ning, veje- plade (5)	Forbe- lastning fra fa- brikken (6)	Mek. For- belast- ningsre- serve (7)	Nulstil- lings- interval (8)	Maks. belast- nings- interval (1)
PBA639(x/xx)-QA6	9x9	10	1,57	0,00	1,57	12,68	1,8	24
PBA639(x/xx)-A6	9,5x11,8	10	1,75	0,00	1,75	12,50	1,8	24
PBA639(x/xx)-A15	9,5x11,8	25	1,75	0,00	1,75	21,75	4,5	49
PBA639(x/xx)-QB15	12x12	25	3,13	0,00	3,13	20,37	4,5	49
PBA639(x/xx)-QB30	12x12	50	3,13	0,00	3,13	79,15	9,0	132
PBA639(x/xx)-QB60	12x12	100	3,13	0,00	3,13	117,33	18,0	220
PBA639(x/xx)-BB30	11,8x15,7	50	4,41	0,00	4,41	77,87	9,0	132
PBA639(x/xx)-BB60	11,8x15,7	100	4,41	0,00	4,41	116,06	18,0	220
PBA639(x/xx)-B30	15,7x19,7	50	8,79	0,00	8,79	73,49	9,0	132
PBA639(x/xx)-B60	15,7x19,7	100	8,79	0,00	8,79	111,67	18,0	220
PBA639(x/xx)-B150	15,7x19,7	250	8,79	0,00	8,79	182,13	45,0	441
PBA639(x/xx)-BC60	19,7x25,6	100	15,27	0,00	15,27	105,19	18,0	220
PBA639(x/xx)-BC150	19,7x25,6	250	15,27	0,00	15,27	285,89	45,0	551
PBA639(x/xx)-BC300	19,7x25,6	500	15,27	0,00	15,27	587,04	90,0	1102
PBA639(x/xx)-CC60	23,6x29,5	100	23,21	0,00	23,21	97,26	18,0	220
PBA639(x/xx)-CC150	23,6x29,5	250	23,21	0,00	23,21	277,95	45,0	551
PBA639(x/xx)-CC300	23,6x29,5	500	23,21	0,00	23,21	579,11	90,0	1102
PBA639(x/xx)-CC600	23,6x29,5	1000	23,21	0,00	23,21	630,26	180,0	1653

## 6.6 Tilbehør

### Stander

Varenummer	Betegnelsen	Beskrivelse
30676281	Stander åben 330 mm / 13"	Passer til alle platformsstørrelser
30676282	Stander åben 660 mm / 26"	Passer til alle platformsstørrelser
30676283	Stander åben 900 mm / 35,4"	Passer til alle platformsstørrelser større end A-størrelse
30676284	Stander lukket 330 mm / 13"	Passer til alle platformsstørrelser
30676285	Stander lukket 660 mm / 26"	Passer til alle platformsstørrelser
30676286	Stander lukket 900 mm / 35,4"	Passer til alle platformsstørrelser større end A-størrelse

### Vogn i rustfrit stål

Varenummer	Betegnelsen	Beskrivelse
72225939	Vogn BC i rustfrit stål	Passer til 500 × 650 mm platform
72225940	Vogn CC i rustfrit stål	Passer til 600 × 800 mm platform

### Rulleskinne

Varenummer	Betegnelsen	Beskrivelse
30253326	Rulleskinne 400 × 500 mm / 15,7" × 19,7" rustfrit stål	Passer til 400 × 500 mm platform. Ruller til platformens korte side
30253328	Rulleskinne 500 × 650 mm / 19,7" × 25,6" rustfrit stål	Passer til 500 × 650 mm platform. Ruller til platformens korte side
30253330	Rulleskinne 600 × 800 mm / 23,6" × 31,5" rustfrit stål	Passer til 600 × 800 mm platform. Ruller til platformens korte side
30253327	Rulleskinne 400 × 500 mm / 15,7" × 19,7" rustfrit stål	Passer til 400 × 500 mm platform. Ruller til platformens lange side
30253329	Rulleskinne 500 × 650 mm / 19,7" × 25,6" rustfrit stål	Passer til 500 × 650 mm platform. Ruller til platformens lange side
30253331	Rulleskinne 600 × 800 mm / 23,6" × 31,5" rustfrit stål	Passer til 600 × 800 mm platform. Ruller til platformens korte side
30640393	Rulleskinne 400 × 500 mm / 15,7" × 19,7" rustfrit stål	Passer til farligt område
30640394	Rulleskinne 500 × 650 mm / 19,7" × 25,6" rustfrit stål	Passer til farligt område
30640395	Rulleskinne 600 × 800 mm / 23,6" × 31,5" rustfrit stål	Passer til farligt område

### Frontmonteringsbeslag

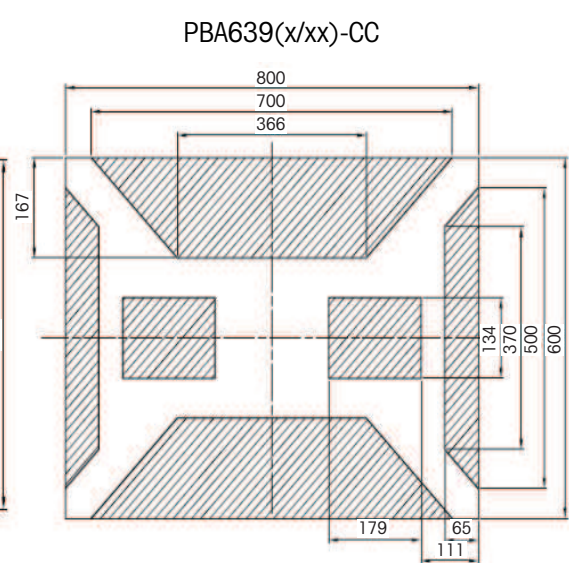
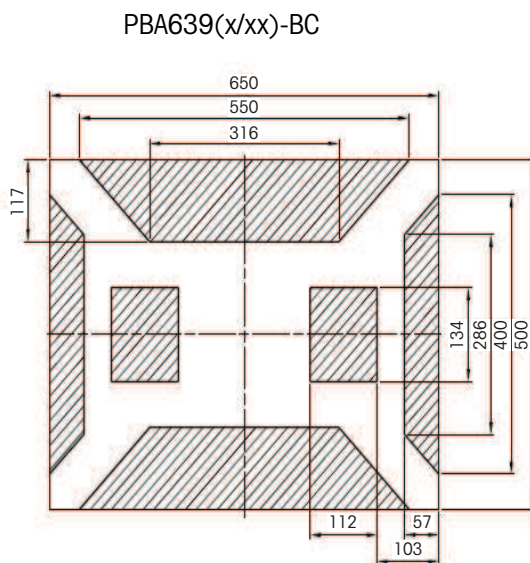
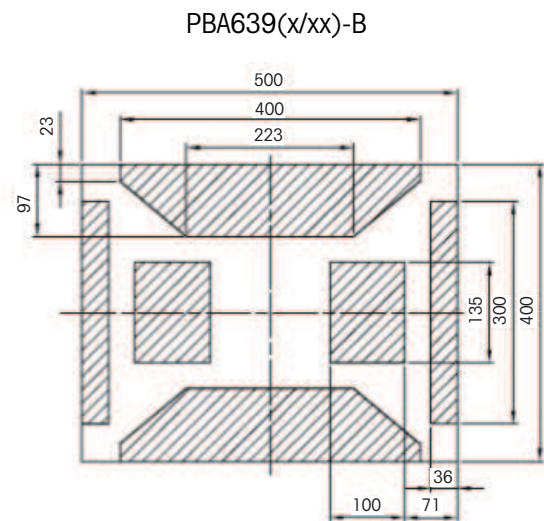
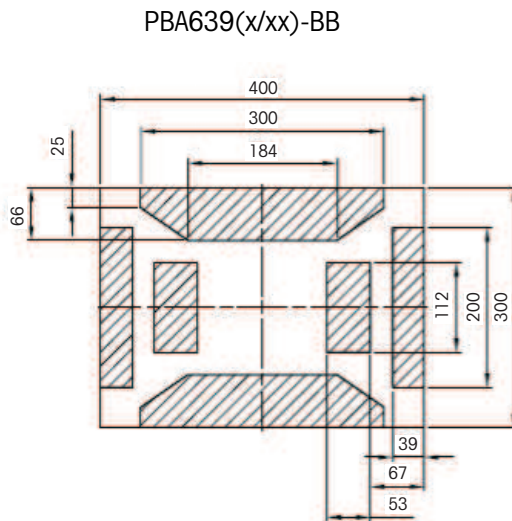
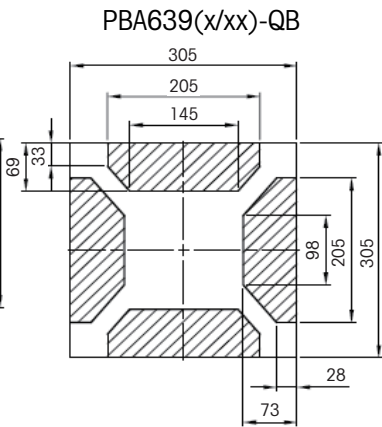
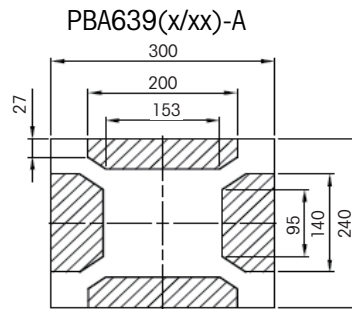
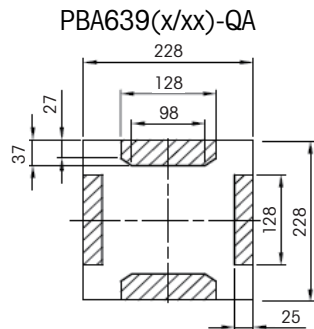
Varenummer	Betegnelsen	Beskrivelse
30676290	Frontmonteringsbeslag	Passer til ICS4_9 frontmontering
30676291	Frontmonteringsbeslag	Passer til ICS689 frontmontering

## 7 Monteringsmuligheder

PBA639(x/xx) understøtter montering på stabil enhed. Hvis det bliver nødvendigt at bore på vejeplatformen, skal nedenstående boremønstre følges.

**BEMÆRK: De mørke områder er de steder, hvor det er tilladt at bore på vejeplatformen.**



Målt i [mm]







## 8 Bilag

### 8.1 Typeskilt

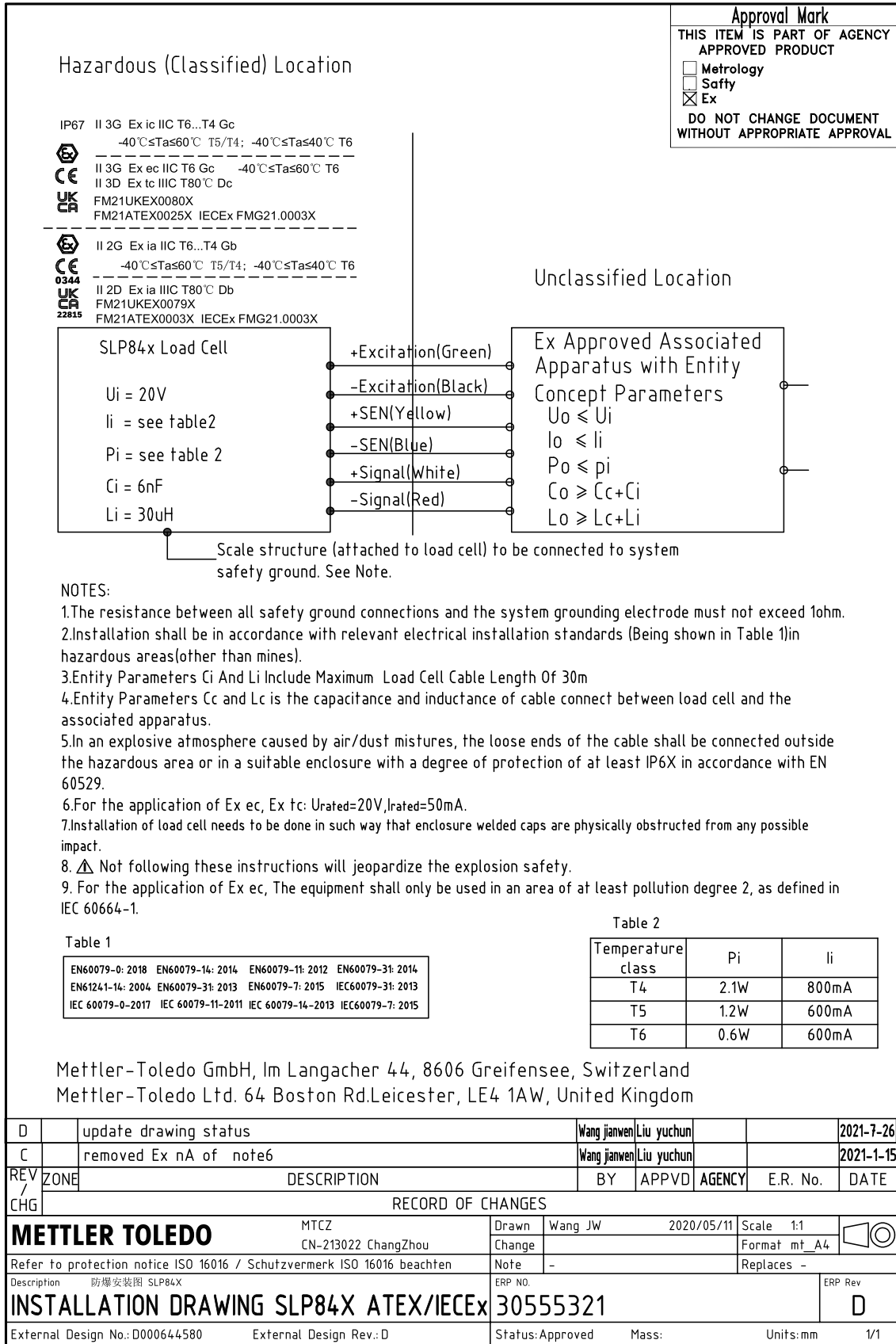
<p>IS CL I,II,III DIV 1, GP ABCDEFG T6...T4          Class I, Zone 1, AEx ia IIC T6...T4 Gb          Class II,III, Zone 21, AEx ia IIIC T80°C Db          -40°C ≤ Ta ≤ 60°C T5/T4; -40°C ≤ Ta ≤ 40°C T6</p> <p>FM21US0076X</p>			<p>II 2G Ex ia IIC T6...T4 Gb          II 2D Ex ia IIIC T80°C Db          -40°C ≤ Ta ≤ 60°C T5/T4          -40°C ≤ Ta ≤ 40°C T6</p>
<p>IS CL I,II,III DIV 1, GP ABCDEFG T6...T4          Class I, Zone 1, Ex ia IIC T6...T4 Gb          Class II,III, Zone 21, Ex ia IIIC T80°C Db          -40°C ≤ Ta ≤ 60°C T5/T4; -40°C ≤ Ta ≤ 40°C T6</p> <p>FM21CA0051X</p>		<p>Entity/NIFW for Nonincendive Field Wiring. Entity parameters are shown in drawing 30688074          Mettler-Toledo GmbH, Im Langacher 44, 8606 Greifensee, Switzerland</p>	

<p>NI CL I,II,III DIV 2 GP ABCDFG T6          -40°C ≤ Ta ≤ 60°C</p> <p>FM21US0076X</p>			<p>II 3G Ex ic IIC T6...T4 Gc          -40°C ≤ Ta ≤ 60°C T5/T4          -40°C ≤ Ta ≤ 40°C T6</p>
<p>NI CL I,II,III DIV 2 GP ABCDEFG T6...T4          -40°C ≤ Ta ≤ 60°C          Class I, Zone 2, Ex ec IIC T6 Gc;          Class II,III, Zone 22, Ex tc IIIC T80°C Dc</p> <p>FM21CA0051X</p>		<p>II 3G Ex ec IIC T6 Gc U-rated=20V          II 3D Ex tc IIIC T80°C Dc I-rated=50mA          -40°C ≤ Ta ≤ 60°C</p>	
		<p>Entity/NIFW for Nonincendive Field Wiring. Entity parameters are shown in drawing 30688074          Mettler-Toledo GmbH, Im Langacher 44, 8606 Greifensee, Switzerland</p>	





### 8.3 Installationsteigning



# METTLER TOLEDO Service

Gratulerer med valget av kvalitet og presisjon fra METTLER TOLEDO. Korrekt bruk av ditt nye utstyr i samsvar med denne veiledningen og regelmessig kalibrering og vedlikehold utført av vårt serviceteam som er lært opp ved fabrikken, sikrer pålitelig og nøyaktig drift, slik at investeringen din beskyttes. Kontakt oss om en serviceavtale skreddersydd dine behov og økonomi. Ytterligere informasjon er tilgjengelig på ► [www.mt.com/service](http://www.mt.com/service).

Det er flere viktige måter du kan sikre og optimere ytelsen av din investering på:

- 1 **Registrer ditt produkt:** Vi ber deg om å registrere ditt produkt på [www.mt.com/productregistration](http://www.mt.com/productregistration) slik at vi kan kontakte deg om forbedringer, oppdateringer og viktig informasjon vedrørende ditt produkt.
- 2 **Kontakt METTLER TOLEDO for service:** Verdien av en måling er proporsjonal med dens nøyaktighet – en vekt som er utenfor spesifikasjonene kan redusere kvaliteten, redusere profitten og øke ansvaret. Service i rett tid fra METTLER TOLEDO vil sikre nøyaktigheten og optimere driftstiden og utstyrets levetid.
  - ➔ **Installasjon, konfigurering, integrering og opplæring:** Våre servicerepresentanter er eksperter på veieutstyr, opplært ved fabrikken. Vi sikrer at ditt veieutstyr er klart for produksjon til rett tid på en kostnadseffektiv måte, og at personell blir opplært for gode resultater.
  - ➔ **Dokumentering av initiell kalibrering:** Installasjonsmiljøet og kravene til bruk er unike for enhver industriell vekt, slik at ytelsen må testes og sertifiseres. Våre kalibreringstjenester og sertifikater dokumenterer nøyaktigheten for å sikre produksjonskvalitet og gi en kvalitetssystem-ytelseslogging.
  - ➔ **Periodisk kalibreringsvedlikehold:** En kalibreringsserviceavtale gir vedvarende tiltro til din veieprosess og dokumenterer samsvar med kravene. Vi tilbyr et utvalg av serviceplaner som er tilpasset dine behov og ditt budsjett.



# Innhold

<b>1</b>	<b>Sikkerhetsanvisninger</b>	<b>3</b>
1.1	Tiltenkt bruk.....	3
1.2	Misbruk.....	3
1.3	Sikkerhetstiltak.....	3
1.4	Spesielle bruksbetingelser.....	3
<b>2</b>	<b>Innledning</b>	<b>4</b>
2.1	Utvalg.....	4
2.2	Om denne veiledningen.....	4
2.3	Andre dokumenter.....	4
<b>3</b>	<b>Installasjon og drift</b>	<b>5</b>
3.1	Koble veieplattformen til veieterminalen.....	5
3.2	Vatring.....	6
3.3	Ekvipotensialutjevning.....	6
3.4	Sjekke veieplattformen.....	6
3.5	Drift av veieplattformen.....	7
3.6	Installasjon, konfigurasjon, service og reparasjon.....	7
<b>4</b>	<b>Vedlikehold</b>	<b>8</b>
4.1	Merknader om rengjøring.....	8
4.2	Etterbehandling.....	8
4.3	Kassering.....	8
<b>5</b>	<b>Reparasjon</b>	<b>9</b>
<b>6</b>	<b>Tekniske data og driftsgrenser</b>	<b>10</b>
6.1	Maksimum verifiseringsvektintervall.....	10
6.2	Maksimum tillatt last.....	10
6.3	Tekniske data for lastcellen.....	11
6.3.1	Ex-godkjenning.....	11
6.3.2	Samsvarsstandard for lastcelle.....	11
6.4	Mål.....	13
6.5	Informasjon om forbelastingskapasitet.....	14
6.5.1	Forbelastningstabell i kilogram.....	15
6.5.2	Forbelastningstabell i pund.....	17
6.6	Tilbehør.....	19
<b>7</b>	<b>Monteringsalternativer</b>	<b>20</b>
<b>8</b>	<b>Tillegg</b>	<b>21</b>
8.1	Etikett.....	21
8.2	Kontrolltegning.....	22
8.3	Installasjonstegning.....	23



# 1 Sikkerhetsanvisninger

## 1.1 Tiltent bruk

PBA639(x/xx) Veieplattformer er en del av et modulært veiesystem som omfatter en METTLER TOLEDO veie-terminal som indikator og minst én veieplattform.

- Bruk veieplattformen kun til veiing i samsvar med denne veiledningen.
- Veieplattformen er kun ment for innendørs bruk.
- Bare PBA639x/xx veieplattform er egnet for bruk i farlige omgivelser, som spesifisert nedenfor.
- All annen bruk anses som ikke tiltent bruk.

### Lovregulert måling

- Ved bruk til lovregulert måling må det bare benyttes godkjente veieplattformer.
- Ved bruk til lovregulert måling er driftsselskapet ansvarlig for å overholde alle nasjonale krav til mål og vekt.
- Vennligst kontakt METTLER TOLEDO serviceorganisasjon når det gjelder spørsmål knyttet til bruk i lovlige handelsapplikasjoner.

## 1.2 Misbruk

- Ikke bruk veie-terminalen til annet enn veieoperasjoner.
- Ikke bruk veieplattformen i andre omgivelser enn det som er spesifisert i --- MISSING LINK ---.
- Ikke utfør modifikasjoner på veieplattformen.
- Ikke bruk veie-terminalen utover grensene i de tekniske spesifikasjonene.
- Ikke bruk veieplattformen til lagring av varer.
- Unngå at det faller varer ned på veieplattformen.

## 1.3 Sikkerhetstiltak

- Bare personale som er opplært og kvalifisert av METTLER TOLEDO, skal installere og vedlikeholde veieplattformen.
- Vær forsiktig ved transport og løfting av tunge enheter.
- Koble alltid veieplattformen fra strømkilden før installasjon, service, rengjøring eller vedlikehold.
- Tilkoblingskabelen må ikke kobles fra veie-terminalen når den er aktivert.
- Vent til veieplattformen har nådd romtemperatur før du slår på strømforsyningen.
- De eksplosjonsbeskyttede veieplattformene PBA639x/xx er godkjent for drift i følgende farlige områder:
  - ATEX/IECEx kategori 2, kategori 3, gass/støv (sone 1/21, sone 2/22)
  - cFMus, klasse I,II,III, div. 1, div. 2
- Det er økt fare for personskader og materielle skader når veieplattformene brukes i farlige områder! Man må være ekstra forsiktig under arbeid i slike områder.
- Når det gjelder PBA639x/xx veieplattform, må det bare brukes kabelmuffer som egner seg og er godkjent for bruk i farlige områder, når veiecellekabelen kobles til veie-terminalen.
- Eksplosjonsbeskyttede veieplattformer kan bare brukes i farlige områder sammen med veie-terminaler med egnet godkjenning og grensesnittspesifikasjon.

## 1.4 Spesielle bruksbetingelser

- I en eksplosiv atmosfære som skyldes luft-/støvfuktighet, må de ledige endene på kabelen kobles utenfor det farlige området eller i en egnet kapsling med en beskyttelsesgrad på minst IP6X i samsvar med IEC/EN 60529.

## 2 Innledning

### 2.1 Utvalg

Denne veiledningen omhandler produktserien PBA639(x/xx).

PBA639(x/xx) Serien tilbyr en rekke veieplattformer for å oppfylle dine behov. Den er godkjennbar og leveres i ulike størrelser og med forskjellig kapasitet

Type	Lastplatemateriale	Vektrammemateriale	Lastcellekonstruksjon	Omgivelser IP-beskyttelse	Godkjenning for farlig bruk
PBA639	Rustfritt stål	Rustfritt stål	Rustfritt stål, hermetisk forseglet	Tørre, våte, IP68/IP69K	-
PBA639x	AISI304, tilleggsutstyr /	AISI304			Sone 1/21, div 1
PBA639xx	Rustfritt stål AISI316L, tilleggsutstyr / Rustfritt stål AISI304, åpen plate, tilleggsutstyr				Sone 2/22, div 2

### 2.2 Om denne veiledningen



Denne veiledningen inneholder all informasjon for operatøren av produktet.

- Les denne veiledningen grundig før bruk.
- Ta vare på denne veiledningen for framtidig referanse.
- Legg ved denne veiledningen til eventuelle framtidige eiere eller brukere av produktet.

### 2.3 Andre dokumenter

I tillegg til denne veiledningen kan du laste ned de følgende dokumentene fra ► [www.mt.com](http://www.mt.com):

- Brosjyre
- Installasjonsinformasjon (for utdannet personell under kontroll av driftsselskapet)
- Typegodkjenningsdokumenter

#### Nedlasting av sertifikat

Sertifikater for USA, Canada, ATEX, UKEX og IECEx kan lastes ned fra

► <https://www.mt.com/us/en/home/search/compliance.html/compliance/>.

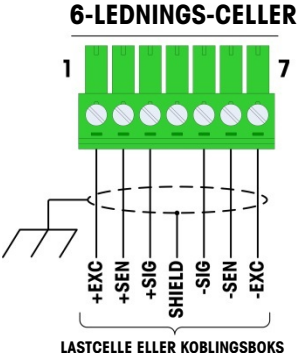


## 3 Installasjon og drift

### 3.1 Koble veieplattformen til veieterminalen

PBA639(x/xx) veieplattformer er beregnet for bruk sammen med analoge METTLER TOLEDO-veieterminaler.

- 1 Stikk veieplattformkabelen gjennom kabelmuffen og inn i veieterminalen.
- 2 Koble veieplattformkabelen til rekkeklemmen på veieterminalen i henhold til tabellen nedenfor.

Signal	Ledningsfarge	Kontakt
SIG+	Hvit	
SIG-	Rød	
EXC+	Grønn	
EXC-	Svart	
SEN+	Gul	
SEN-	Blå	



#### **ADVARSEL**

**Kabelskjermen må være jordet.**

#### Sikkerhetstiltak for tilkoblinger

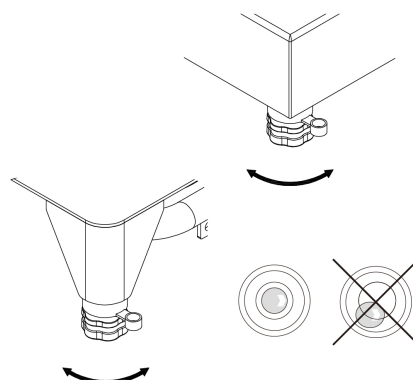
- Ved tilkobling av veieplattformen i et farlig område, må kravene på kontrolltegningen som finnes i [Tillegg ▶ side 21], følges strengt.
- Kontroller spesialbetingelsene for sikker bruk på tegningene og sertifikatene i [Tillegg ▶ side 21].
- Kabelskjermen er koblet til lastcellens fjærelement (lastcellens kropp). Husk å sørge for riktig tilkobling mellom lastcelle og klemme (eller koblingsboks) ut fra installasjonsscenarioet.
- Motstanden mellom alle sikkerhetsjordingstilkoblingene og systemjordingselektroden må ikke overskride 1 ohm.
- Installasjonen må være i samsvar med relevante elektriske installasjonsstandarder.
- Manglende overholdelse av disse instruksjonene vil sette eksplosjonssikkerheten i fare.

## 3.2 Vatring

Bare en veieplattform som er justert slik at den er helt horisontal, gir nøyaktige veieresultater. Veieplattformen må vares under den opprinnelige installasjonen og hver gang den flyttes.

- 1 Drei de justerbare føttene på veieplattformen til luftboblen i libellen befinner seg i den innerste sirkelen.
- 2 Stram låsemutrene på de justerbare bena.

👉 Skann QR-koden for å se videoen

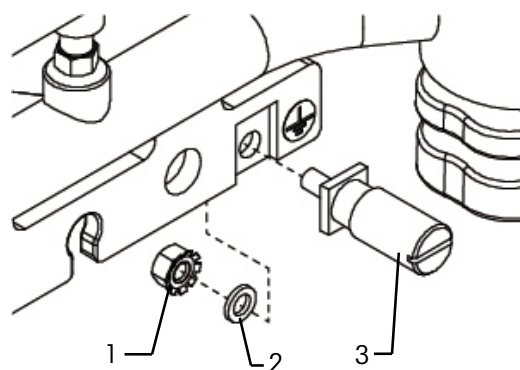


## 3.3 Ekvipotensialutjevning

Ekvipotensialutjevningen for PBA639x/xx veieplattformer er montert fra fabrikken. Kablingen må installeres av en autorisert elektriker på anleggsstedet. METTLER TOLEDO service har bare en overvåkings- og rådgivningsfunksjon her. Koble ekvipotensialutjevningen (PA) for alle enhetene (veieplattform og veieterminal) i samsvar med gjeldende nasjonale normer og forskrifter. Underveis må du kontrollere at alle enhetsrammene er koblet til det samme potensiallet via PA-klemmen.

### Merk

Utstyret er beskyttet mot elektrisk støt iht. IEC60950, klasse II.



1 - Sekskantet låsemutter, M4 KEPS

2 - Skive

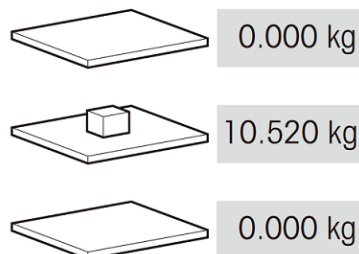
3 - Ekvipotensialutjevningsklemme, dreiemoment 3,5 Nm

Bestillingsnummer for ekvipotensialutjevningssett 72237321

## 3.4 Sjekke veieplattformen

### Funksjonssjekk

- 1 Forsikre deg om at veieplattformen er koblet til en veieterminal og at veieterminalen er slått på.
- 2 Forsikre deg om at veieplattformen er ubelastet og at displayet på veieterminalen viser 0.
- 3 Belast veieplattformen. Veieterminalen må vise en verdi forskjellig fra 0.
- 4 Avlast veieplattformen. Veieterminalen skal gå tilbake til 0.



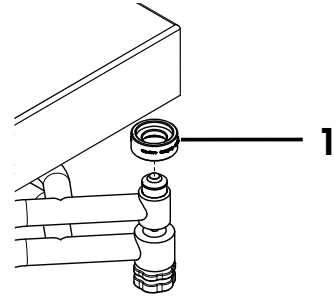
### Godkjenningstest

For godkjenningstest, se brukerveiledningen for den tilkoblede veieterminalen. Hvis godkjenningsmerket er brutt, er godkjenningen ikke lenger gyldig.

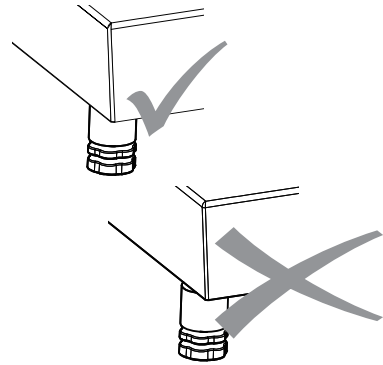
### 3.5 Drift av veieplattformen

For best mulige veieresultater, pass på følgende:

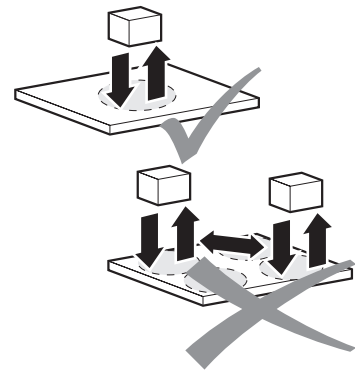
- Hvis veieplattformen leveres med transportbeskyttelse sputene(1) under lasteplaten, må du fjerne transportbeskyttelse sputene før du bruker den.



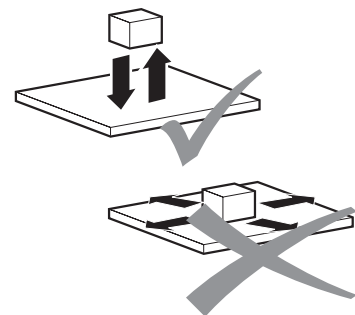
- Forsikre deg om at lasteplaten er riktig plassert.



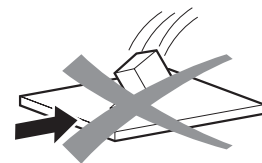
- For å oppnå de beste veieresultatene, plasser alltid veieprøven på samme sted på veieplattformen.



- Unngå prosesser som er abrasive og gir slitasje.



- Unngå fallende laster, støt og sideveis slag.



### 3.6 Installasjon, konfigurasjon, service og reparasjon

For installasjon, konfigurasjon, service og reparasjon av veieplattformene, kontakt METTLER TOLEDO service.

## 4 Vedlikehold

### 4.1 Merknader om rengjøring

#### Merknad

##### Skader på veieplattformen på grunn av feil bruk av rengjøringsmidler.

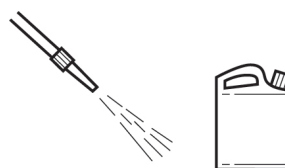
- Bruk kun desinfeksjonsmidler og rengjøringsmidler i samsvar med produsentens instruksjoner.
- Bruk ikke svært sure, svært alkaliske eller svært klorholdige rengjøringsmidler. Unngå stoffer med høy eller lav pH-verdi, da de fører til økt fare for korrosjon.
- Utvis spesiell forsiktighet ved rengjøring av lastecellen.

#### Rengjøringsprosedyre

- Fjern skitt og avsetninger fra utsiden og innsiden av veieplattformen med regelmessige intervaller.
  - ➔ Prosedyren avhenger både av typen overflate og miljøbetingelsene på installasjonsstedet.

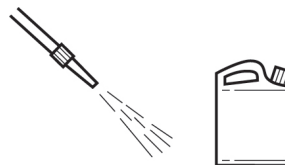
#### Rengjøring i våte omgivelser (versjoner i rustfritt stål)

- Bruk en vannstråle på opp til 80 °C / 176 °F og maks. 80 bar, minimumsavstand 40 cm / 16".
- Bruk vanlige rengjøringsmidler.



#### Rengjøring i korrosive omgivelser (versjoner i rustfritt stål)

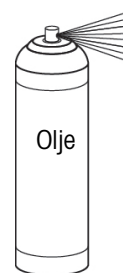
- Bruk en vannstråle.
  - Innvendig rengjøring**, lastcelle, lastplate åpnet: inntil 60 °C / 140 °F og maks. 2 bar, minimumsavstand 40 cm / 16".
  - Utvendig rengjøring**, lastplate lukket: inntil 80 °C / 176 °F og maks. 80 bar, minimumsavstand 40 cm / 16".
- Fjern korrosive stoffer regelmessig.
- Bruk kun desinfeksjonsmidler og rengjøringsmidler i samsvar med produsentens spesifikasjoner og instruksjoner.



### 4.2 Etterbehandling

Utfør følgende etterbehandling for å beskytte vekten:

- Skyll vekten med rent vann og fjern alt rengjøringsmiddel fullstendig.
- Tørk av vekten med en lofri klut.
- På vekter i rustfritt stål smøres innsiden og utsiden med en olje egnet for matvarer.



### 4.3 Kassering

In conformance with the European Directive 2012/19/EU on Waste Electrical and Electronic Equipment (WEEE) this device may not be disposed of in domestic waste. This also applies to countries outside the EU, per their specific requirements.

Please dispose of this product in accordance with local regulations at the collecting point specified for electrical and electronic equipment. If you have any questions, please contact the responsible authority or the distributor from which you purchased this device. Should this device be passed on to other parties, the content of this regulation must also be related.



## 5 Reparasjon

Dette utstyret er sertifisert for bruk på farlige steder, derfor er det ikke tillatt med noen modifikasjoner. Alle reparasjoner skal utføres av personale som har spesialopplæring i reparasjon av dette utstyret.

## 6 Tekniske data og driftsgrenser

### 6.1 Maksimum verifiseringsvektintervall

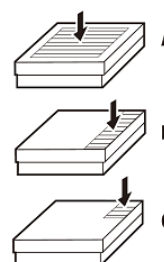
Maks. verifiseringsvektintervall [e] / OIML	Kapasitet							
	3 kg	6 kg	15 kg	30 kg	60 kg	150 kg	300 kg	600 kg
2 x 3000e MR	-	3 / 0.001	6 / 0.002	15 / 0.005	30 / 0.01	60 / 0.02	150 / 0.05	300 / 0.1
Max / e [kg]	-	6 / 0.002	15 / 0.005	30 / 0.01	60 / 0.02	150 / 0.05	300 / 0.1	600 / 0.2

Maks. verifiseringsvektintervall [d] / NTEP	Kapasitet							
	-	10 lb	25 lb	50 lb	100 lb	250 lb	500 lb	1000 lb
1 x 5000d Max / d [lb]	-	10 / 0.002	25 / 0.005	50 / 0.01	100 / 0.02	250 / 0.05	500 / 0.1	1000 / 0.2

### 6.2 Maksimum tillatt last

Alle veieplattformer er utstyrt med en overbelastningsbeskyttelse. Med den robuste vektkonstruksjonen kan du av og til overskride nominell kapasitet for plattformen uten at det oppstår skade. Den maksimale statiske bæreevnen må aldri overskrides.

- Overhold driftsgrensene nedenfor.



Modell	A - Sentral last	B - Sidelast	C - Hjørnelast
PBA639(x/xx)-QA	50 kg / 110 lb	35 kg / 77 lb	20 kg / 44 lb
PBA639(x/xx)-A	50 kg / 110 lb	35 kg / 77 lb	20 kg / 44 lb
PBA639(x/xx)-QB	120 kg / 265 lb	80 kg / 176 lb	40 kg / 88 lb
PBA639(x/xx)-BB	120 kg / 265 lb	80 kg / 176 lb	40 kg / 88 lb
PBA639(x/xx)-B	220 kg / 485 lb	150 kg / 331 lb	80 kg / 176 lb
PBA639(x/xx)-BC	450 kg / 992 lb	350 kg / 772 lb	180 kg / 397 lb
PBA639(x/xx)-CC	750 kg / 1653 lb	400 kg / 882 lb	200 kg / 440 lb



#### **⚠ ADVARSEL**

**Unngå fallende laster, støtbelastning og sideveis slag.**

## 6.3 Tekniske data for lastcellen

Nominell effekt	mV/V	1,8 ± 0,2
Inngangsmotstand	Ω	384 ± 15
Utgangsmotstand	Ω	350 ± 4
Anbefalt spenning	V (DC / AC)	5 - 15
Maks. eksitert spenning	V (DC / AC)	20
Kabelmantel	-	PVC
IP-klasse	-	IP68/IP69K

### 6.3.1 Ex-godkjenning

Denne delen omhandler bare de Ex-relevante sidene ved produktet.

Lastcellen SLP84x(x=6,7,8) er tildelt:

ATEX-sertifikat	FM21ATEX0003X, FM21ATEX0025X
UK-sertifikat	FM21UKEX0079X, FM21UKEX0080X
IECEX-sertifikat	IECEX FMG21.0003X
US-sertifikat	FM21US0005X
Kanadisk sertifikat	FM21CA0002X

Sertifikatene over og de tilknyttede installasjonstegningene finner du i [Tillegg ▶ side 21].

### 6.3.2 Samsvarsstandard for lastcelle

#### US-standarder

Titel	Nummer	Utstedt
Elektrisk utstyr for bruk på farlige (klassifiserte) steder – Generelle krav	FM-klasse 3600	2018
Egensikkert apparat og tilknyttet apparat for bruk i klasse I, II og III, divisjon 1, farlige (klassifiserte) steder	FM-klasse 3610	2021
Ikke-tennfarlig elektrisk utstyr for bruk i klasse I og II, divisjon 2, og klasse III, divisjon 1 og 2, farlige (klassifiserte) steder	FM-klasse 3611	2021
Elektrisk utstyr for målings-, kontroll- og laboratoriebruk	FM-klasse 3810	2021
Eksplorative atmosfærer - Del 0: Utstyr - Generelle krav	ANSI/UL 60079-0	2019
Eksplorative atmosfærer - Del 11: Utstyrsbeskyttelse gjennom egen-sikkerhet "i"	ANSI/ISA 60079-11	2014
Ikke-tennfarlig elektrisk utstyr for bruk i klasse I og II, divisjon 2, og klasse III, divisjon 1 og 2, farlige (klassifiserte) steder	ANSI/UL 121201	2017
Sikkerhetskrav til elektrisk utstyr for målings-, kontroll- og laboratoriebruk - Del 1: Generelle krav	ANSI/UL 61010-1	2012
Beskyttelsesgrad oppnådd gjennom kapslinger (IP-kode)	ANSI/IEC 60529	2020

#### Kanadiske standarder

Titel	Nummer	Utstedt
Ikke-tennfarlig elektrisk utstyr for bruk i klasse I, divisjon 2 Farlige steder	CSA C22.2 No. 213	2017
Eksplorative atmosfærer - Del 0: Utstyr - Generelle krav	CAN/CSA-C22.2 No. 60079-0	2019
Eksplorative atmosfærer - Del 11: Utstyrsbeskyttelse gjennom egen-sikkerhet "i"	CAN/CSA-C22.2 No. 60079-11	2014
Eksplorative atmosfærer - Del 7: Utstyrsbeskyttelse gjennom økt sikkerhet "e"	CAN/CSA-C22.2 No. 60079-7	2018
Eksplorative atmosfærer - Del 31: Utstyr støv- og antennebeskyttelse gjennom kapsling "t"	CAN/CSA-C22.2 No. 60079-31	2015

Tittel	Nummer	Utstedt
Sikkerhetskrav til elektrisk utstyr for målings-, kontroll- og laboratoriebruk - Del 1: Generelle krav	CSA C22.2 nr. 61010-1	2012
Beskyttelsesgrad oppnådd gjennom kapslinger (IP-kode)	CSA C22.2 No. 60529	2016

### IECEx-standarder

Tittel	Nummer	Utstedt
Eksplorative atmosfærer - Del 0: Utstyr - Generelle krav	IEC 60079-0	2017
Eksplorative atmosfærer - Del 11: Utstørsbeskyttelse gjennom egen-sikkerhet "i"	IEC 60079-11	2011
Eksplorative atmosfærer - Del 7: Utstørsbeskyttelse gjennom økt sikkerhet "e"	IEC 60079-7	2017
Eksplorative atmosfærer - Del 31: Utstyr støvantennessbeskyttelse gjennom kapsling "t"	IEC 60079-31	2013
Beskyttelsesgrad oppnådd gjennom kapslinger (IP-kode)	IEC 60529	2013

### ATEX-standarder

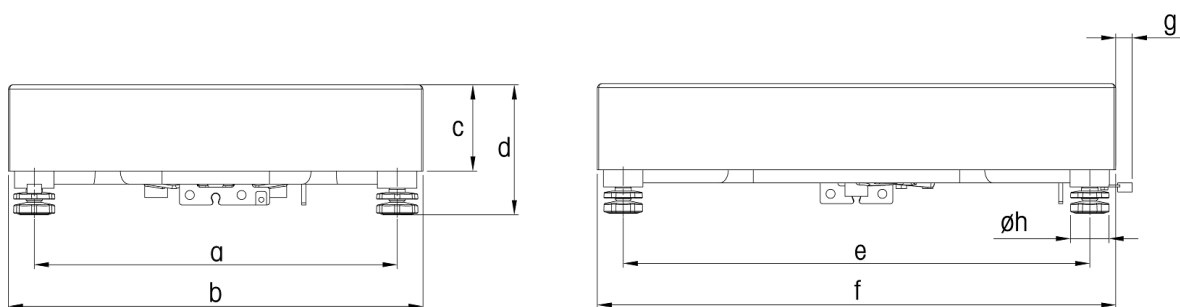
Tittel	Nummer	Utstedt
Eksplorative atmosfærer - Del 0: Utstyr - Generelle krav	EN IEC 60079-0	2018
Eksplorative atmosfærer - Del 11: Utstørsbeskyttelse gjennom egen-sikkerhet "i"	EN 60079-11	2012
Eksplorative atmosfærer - Del 7: Utstørsbeskyttelse gjennom økt sikkerhet "e"	EN 60079-7	2015 +A1:2018
Eksplorative atmosfærer - Del 31: Utstyr støvantennessbeskyttelse gjennom kapsling "t"	EN 60079-31	2014
Beskyttelsesgrad oppnådd gjennom kapslinger (IP-kode)	EN 60529	1991 + A1:2000 + A2:2013

### UKEX-standarder

Tittel	Nummer	Utstedt
Eksplorative atmosfærer - Del 0: Utstyr - Generelle krav	EN IEC 60079-0	2018
Eksplorative atmosfærer - Del 11: Utstørsbeskyttelse gjennom egen-sikkerhet "i"	EN 60079-11	2012
Eksplorative atmosfærer - Del 7: Utstørsbeskyttelse gjennom økt sikkerhet "e"	EN 60079-7	2015 +A1:2018
Eksplorative atmosfærer - Del 31: Utstyr støvantennessbeskyttelse gjennom kapsling "t"	EN 60079-31	2014
Beskyttelsesgrad oppnådd gjennom kapslinger (IP-kode)	EN 60529	1991 + A1:2000 + A2:2013



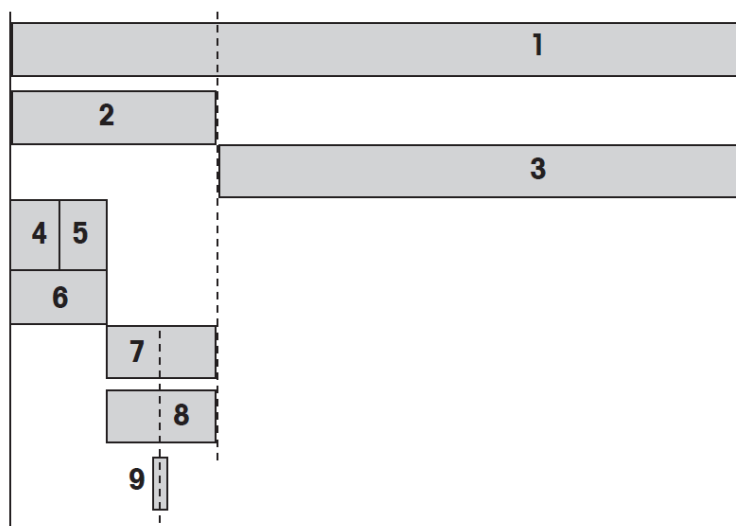
## 6.4 Mål



Mål		a	b	c	d *	e	f	g	h
PBA639(x/xx)-QA	mm	178	228	70	110	178	228	21	40
	tomme	7,01	8,98	2,76	4,33	7,01	8,98	0,83	1,57
PBA639(x/xx)-A	mm	190	240	70	110	250	300	21	40
	tomme	7,48	9,45	2,76	4,33	9,84	11,81	0,83	1,57
PBA639(x/xx)-QB	mm	255	305	70	110	255	305	21	40
	tomme	10,04	12,01	2,76	4,33	10,04	12,01	0,83	1,57
PBA639(x/xx)-BB	mm	250	300	70	110	350	400	21	40
	tomme	9,84	11,81	2,76	4,33	13,78	15,75	0,83	1,57
PBA639(x/xx)-B	mm	350	400	83	126	450	500	21	40
	tomme	13,78	15,75	3,27	4,96	17,72	19,69	0,83	1,57
PBA639(x/xx)-BC	mm	450	500	90	134	600	650	21	40
	tomme	17,72	19,69	3,54	5,28	23,62	25,59	0,83	1,57
PBA639(x/xx)-CC	mm	550	600	90	134	750	800	21	40
	tomme	21,65	23,62	3,54	5,28	29,53	31,50	0,83	1,57
PBA639(x/xx)-CC600	mm	550	600	94	140,5	750	800	21	40
	tomme	21,65	23,62	3,70	5,53	29,53	31,50	0,83	1,57

\*: d= minimum plattformhøyde. Med vektens justerbare føtter kan plattformhøyden økes med maksimalt 5 mm / 0,20 tommer.

## 6.5 Informasjon om forbelastningskapasitet



<b>1</b>	Maksimalt belastningsområde for lastcellen ( $E_{max}$ )
<b>2</b>	Maksimal forbelastning = Maksimalt belastningsområde <b>1</b> – Maksimal belastning <b>3</b>
<b>3</b>	Maksimal last = Maksimalt belastningsområde <b>1</b> – Maksimal forbelastning <b>2</b>
<b>4</b>	Forbelastning toppseksjon
<b>5</b>	Forbelastning veieskål
<b>6</b>	Forbelastning fra fabrikk = Forbelastning toppseksjon <b>4</b> + Forbelastning veieskål <b>5</b>
<b>7</b>	Mekanisk forbelastningsreserve = Maksimal forbelastning <b>2</b> – Forbelastning fra fabrikk <b>6</b>
<b>8</b>	Nullstillingsområdet (slå på) kan stilles inn. Nullstillingsområdet må ligge innenfor maksimal forbelastning. Nullstillingsområdet kan maks. være 18 % av maksimal belastning.
<b>9</b>	Nullstillingsområde $\pm 2$ % av den maksimale belastningen

## 6.5.1 Forbelastningstabell i kilogram

### PBA639(x/xx) med standardplate (304 / 316L)

Type	Mål [mm]	Maks. belastning (3)	Forbelastning toppseksjon (4)	Forbelastning veieskål (5)	Forbelastning fra fabrikk (6)	Mek. Forbelastningsreserve (7)	Nullstillingsområde (8)	Maks. belastningsområde (1)
PBA639(x/xx)-QA3	228x228	3	0,71	1,90	2,61	5,39	0,54	11
PBA639(x/xx)-QA6	228x228	6	0,71	1,90	2,61	2,39	1,08	11
PBA639(x/xx)-A3	240x300	3	0,80	2,40	3,20	4,80	0,54	11
PBA639(x/xx)-A6	240x300	6	0,80	2,40	3,20	1,80	1,08	11
PBA639(x/xx)-A15	240x300	15	0,80	2,40	3,20	3,80	2,70	22
PBA639(x/xx)-QB15	305x305	15	1,42	2,80	4,22	2,78	2,70	22
PBA639(x/xx)-QB30	305x305	30	1,42	2,80	4,22	25,78	5,40	60
PBA639(x/xx)-QB60	305x305	60	1,42	2,80	4,22	35,78	10,80	100
PBA639(x/xx)-BB30	300x400	30	2,00	3,50	5,50	24,50	5,40	60
PBA639(x/xx)-BB60	300x400	60	2,00	3,50	5,50	34,50	10,80	100
PBA639(x/xx)-B30	400x500	30	3,99	5,50	9,49	20,51	5,40	60
PBA639(x/xx)-B60	400x500	60	3,99	5,50	9,49	30,51	10,80	100
PBA639(x/xx)-B150	400x500	150	3,99	5,50	9,49	40,51	27,00	200
PBA639(x/xx)-BC60	500x650	60	6,93	8,40	15,33	24,67	10,80	100
PBA639(x/xx)-BC150	500x650	150	6,93	8,40	15,33	84,67	27,00	250
PBA639(x/xx)-BC300	500x650	300	6,93	8,40	15,33	184,67	54,00	500
PBA639(x/xx)-CC60	600x800	60	10,53	11,50	22,03	17,97	10,80	100
PBA639(x/xx)-CC150	600x800	150	10,53	11,50	22,03	77,97	27,00	250
PBA639(x/xx)-CC300	600x800	300	10,53	11,50	22,03	177,97	54,00	500
PBA639(x/xx)-CC600	600x800	600	10,53	14,70	25,23	124,77	108,00	750

### PBA639(x/xx) med åpen plate (304 / 316L)

Type	Mål [mm]	Maks. belastning (3)	Forbelastning toppseksjon (4)	Forbelastning veieskål (5)	Forbelastning fra fabrikk (6)	Mek. Forbelastningsreserve (7)	Nullstillingsområde (8)	Maks. belastningsområde (1)
PBA639(x/xx)-QA3	228x228	3	0,71	1,20	1,91	6,09	0,54	11
PBA639(x/xx)-QA6	228x228	6	0,71	1,20	1,91	3,09	1,08	11
PBA639(x/xx)-A3	240x300	3	0,80	1,50	2,30	5,70	0,54	11
PBA639(x/xx)-A6	240x300	6	0,80	1,50	2,30	2,70	1,08	11
PBA639(x/xx)-A15	240x300	15	0,80	1,50	2,30	4,70	2,70	22
PBA639(x/xx)-QB15	305x305	15	1,42	1,80	3,22	3,78	2,70	22
PBA639(x/xx)-QB30	305x305	30	1,42	1,80	3,22	26,78	5,40	60
PBA639(x/xx)-QB60	305x305	60	1,42	1,80	3,22	36,78	10,80	100
PBA639(x/xx)-BB30	300x400	30	2,00	2,30	4,30	25,70	5,40	60
PBA639(x/xx)-BB60	300x400	60	2,00	2,30	4,30	35,70	10,80	100
PBA639(x/xx)-B30	400x500	30	3,99	5,60	9,59	20,41	5,40	60
PBA639(x/xx)-B60	400x500	60	3,99	5,60	9,59	30,41	10,80	100
PBA639(x/xx)-B150	400x500	150	3,99	5,60	9,59	40,41	27,00	200

**PBA639(x/xx) uten plate**

Type	Mål [mm]	Maks. belastning (3)	Forbelastning toppseksjon (4)	Forbelastning veiskål (5)	Forbelastning fra fabrikk (6)	Mek. Forbelastningsreserve (7)	Nullstillingsområde (8)	Maks. belastningsområde (1)
PBA639(x/xx)-QA3	228x228	3	0,71	0	0,71	7,286	0,54	11
PBA639(x/xx)-QA6	228x228	6	0,71	0	0,71	4,29	1,08	11
PBA639(x/xx)-A3	240x300	3	0,80	0	0,80	7,20	0,54	11
PBA639(x/xx)-A6	240x300	6	0,80	0	0,80	4,20	1,08	11
PBA639(x/xx)-A15	240x300	15	0,80	0	0,80	6,20	2,70	22
PBA639(x/xx)-QB15	305x305	15	1,42	0	1,42	5,58	2,70	22
PBA639(x/xx)-QB30	305x305	30	1,42	0	1,42	28,58	5,40	60
PBA639(x/xx)-QB60	305x305	60	1,42	0	1,42	38,58	10,80	100
PBA639(x/xx)-BB30	300x400	30	2,00	0	2,00	28,00	5,40	60
PBA639(x/xx)-BB60	300x400	60	2,00	0	2,00	38,00	10,80	100
PBA639(x/xx)-B30	400x500	30	3,99	0	3,99	26,01	5,40	60
PBA639(x/xx)-B60	400x500	60	3,99	0	3,99	36,01	10,80	100
PBA639(x/xx)-B150	400x500	150	3,99	0	3,99	46,01	27,00	200
PBA639(x/xx)-BC60	500x650	60	6,93	0	6,93	33,07	10,80	100
PBA639(x/xx)-BC150	500x650	150	6,93	0	6,93	93,07	27,00	250
PBA639(x/xx)-BC300	500x650	300	6,93	0	6,93	193,07	54,00	500
PBA639(x/xx)-CC60	600x800	60	10,53	0	10,53	29,47	10,80	100
PBA639(x/xx)-CC150	600x800	150	10,53	0	10,53	89,47	27,00	250
PBA639(x/xx)-CC300	600x800	300	10,53	0	10,53	189,47	54,00	500
PBA639(x/xx)-CC600	600x800	600	10,53	0	10,53	139,47	108,00	750

## 6.5.2 Forbelastningstabell i pund

### PBA639(x/xx) med standardplate (304 / 316L)

Type	Mål [tomme]	Maks. belastning (3)	Forbelastning toppseksjon (4)	Forbelastning veieskål (5)	Forbelastning fra fabrikk (6)	Mek. Forbelastningsreserve (7)	Nullstillingsområde (8)	Maks. belastningsområde (1)
PBA639(x/xx)-QA6	9x9	10	1,57	4,19	5,76	8,49	1,8	24
PBA639(x/xx)-A6	9,5x11,8	10	1,75	5,29	7,05	7,20	1,8	24
PBA639(x/xx)-A15	9,5x11,8	25	1,75	5,29	7,05	16,46	4,5	49
PBA639(x/xx)-QB15	12x12	25	3,13	6,17	9,30	14,20	4,5	49
PBA639(x/xx)-QB30	12x12	50	3,13	6,17	9,30	72,98	9,0	132
PBA639(x/xx)-QB60	12x12	100	3,13	6,17	9,30	111,16	18,0	220
PBA639(x/xx)-BB30	11,8x15,7	50	4,41	7,72	12,12	70,15	9,0	132
PBA639(x/xx)-BB60	11,8x15,7	100	4,41	7,72	12,12	108,34	18,0	220
PBA639(x/xx)-B30	15,7x19,7	50	8,79	12,13	20,92	61,36	9,0	132
PBA639(x/xx)-B60	15,7x19,7	100	8,79	12,13	20,92	99,55	18,0	220
PBA639(x/xx)-B150	15,7x19,7	250	8,79	12,13	20,92	170,01	45,0	441
PBA639(x/xx)-BC60	19,7x25,6	100	15,27	18,52	33,79	86,67	18,0	220
PBA639(x/xx)-BC150	19,7x25,6	250	15,27	18,52	33,79	267,37	45,0	551
PBA639(x/xx)-BC300	19,7x25,6	500	15,27	18,52	33,79	568,52	90,0	1102
PBA639(x/xx)-CC60	23,6x29,5	100	23,21	25,35	48,56	71,90	18,0	220
PBA639(x/xx)-CC150	23,6x29,5	250	23,21	25,35	48,56	252,60	45,0	551
PBA639(x/xx)-CC300	23,6x29,5	500	23,21	25,35	48,56	553,75	90,0	1102
PBA639(x/xx)-CC600	23,6x29,5	1000	23,21	32,41	55,61	597,85	180,0	1653

### PBA639(x/xx) med åpen plate (304 / 316L)

Type	Mål [tomme]	Maks. belastning (3)	Forbelastning toppseksjon (4)	Forbelastning veieskål (5)	Forbelastning fra fabrikk (6)	Mek. Forbelastningsreserve (7)	Nullstillingsområde (8)	Maks. belastningsområde (1)
PBA639(x/xx)-QA6	9x9	10	1,57	2,65	4,22	10,03	1,8	24
PBA639(x/xx)-A6	9,5x11,8	10	1,75	3,31	5,06	9,19	1,8	24
PBA639(x/xx)-A15	9,5x11,8	25	1,75	3,31	5,06	18,44	4,5	49
PBA639(x/xx)-QB15	12x12	25	3,13	3,97	7,10	16,41	4,5	49
PBA639(x/xx)-QB30	12x12	50	3,13	3,97	7,10	75,18	9,0	132
PBA639(x/xx)-QB60	12x12	100	3,13	3,97	7,10	113,37	18,0	220
PBA639(x/xx)-BB30	11,8x15,7	50	4,41	5,07	9,48	72,80	9,0	132
PBA639(x/xx)-BB60	11,8x15,7	100	4,41	5,07	9,48	110,98	18,0	220
PBA639(x/xx)-B30	15,7x19,7	50	8,79	12,35	21,14	61,14	9,0	132
PBA639(x/xx)-B60	15,7x19,7	100	8,79	12,35	21,14	99,33	18,0	220
PBA639(x/xx)-B150	15,7x19,7	250	8,79	12,35	21,14	169,79	45,0	441

### PBA639(x/xx) uten plate

Type	Mål [tomme]	Maks. belastning (3)	Forbelastning toppseksjon (4)	Forbelastning veieskål (5)	Forbelastning fra fabrikk (6)	Mek. Forbelastningsreserve (7)	Nullstillingsområde (8)	Maks. belastningsområde (1)
PBA639(x/xx)-QA6	9x9	10	1,57	0,00	1,57	12,68	1,8	24

Type	Mål [tomme]	Maks. belastning (3)	Forbelastning toppseksjon (4)	Forbelastning veiskål (5)	Forbelastning fra fabrikk (6)	Mek. Forbelastningsreserve (7)	Nullstillingsområde (8)	Maks. belastningsområde (1)
PBA639(x/xx)-A6	9,5x11,8	10	1,75	0,00	1,75	12,50	1,8	24
PBA639(x/xx)-A15	9,5x11,8	25	1,75	0,00	1,75	21,75	4,5	49
PBA639(x/xx)-QB15	12x12	25	3,13	0,00	3,13	20,37	4,5	49
PBA639(x/xx)-QB30	12x12	50	3,13	0,00	3,13	79,15	9,0	132
PBA639(x/xx)-QB60	12x12	100	3,13	0,00	3,13	117,33	18,0	220
PBA639(x/xx)-BB30	11,8x15,7	50	4,41	0,00	4,41	77,87	9,0	132
PBA639(x/xx)-BB60	11,8x15,7	100	4,41	0,00	4,41	116,06	18,0	220
PBA639(x/xx)-B30	15,7x19,7	50	8,79	0,00	8,79	73,49	9,0	132
PBA639(x/xx)-B60	15,7x19,7	100	8,79	0,00	8,79	111,67	18,0	220
PBA639(x/xx)-B150	15,7x19,7	250	8,79	0,00	8,79	182,13	45,0	441
PBA639(x/xx)-BC60	19,7x25,6	100	15,27	0,00	15,27	105,19	18,0	220
PBA639(x/xx)-BC150	19,7x25,6	250	15,27	0,00	15,27	285,89	45,0	551
PBA639(x/xx)-BC300	19,7x25,6	500	15,27	0,00	15,27	587,04	90,0	1102
PBA639(x/xx)-CC60	23,6x29,5	100	23,21	0,00	23,21	97,26	18,0	220
PBA639(x/xx)-CC150	23,6x29,5	250	23,21	0,00	23,21	277,95	45,0	551
PBA639(x/xx)-CC300	23,6x29,5	500	23,21	0,00	23,21	579,11	90,0	1102
PBA639(x/xx)-CC600	23,6x29,5	1000	23,21	0,00	23,21	630,26	180,0	1653

## 6.6 Tilbehør

### Søyle

Artikkel #	Betegnelse	Beskrivelse
30676281	Søyle åpen 330 mm / 13"	Egnet til alle plattformstørrelser
30676282	Søyle åpen 660 mm / 26"	Egnet til alle plattformstørrelser
30676283	Søyle åpen 900 mm / 35,4"	Egnet til alle plattformstørrelser over A-størrelse
30676284	Søyle lukket 330 mm / 13"	Egnet til alle plattformstørrelser
30676285	Søyle lukket 660 mm / 26"	Egnet til alle plattformstørrelser
30676286	Søyle lukket 900 mm / 35,4"	Egnet til alle plattformstørrelser over A-størrelse

### Vogn, rustfritt stål

Artikkel #	Betegnelse	Beskrivelse
72225939	Vogn, rustfritt stål BC	Egnet til 500 × 650 mm plattform
72225940	Vogn, rustfritt stål CC	Egnet til 600 × 800 mm plattform

### Rullebane

Artikkel #	Betegnelse	Beskrivelse
30253326	Rullebane 400 × 500 mm / 15,7" × 19,7" rustfritt stål	Egnet til 400 × 500 mm plattform. Rulles til kortsiden av plattformen
30253328	Rullebane 500 × 650 mm / 19,7" × 25,6" rustfritt stål	Egnet til 500 × 650 mm plattform. Rulles til kortsiden av plattformen
30253330	Rullebane 600 × 800 mm / 23,6" × 31,5" rustfritt stål	Egnet til 600 × 800 mm plattform. Rulles til kortsiden av plattformen
30253327	Rullebane 400 × 500 mm / 15,7" × 19,7" rustfritt stål	Egnet til 400 × 500 mm plattform. Rulles til langsiden av plattformen
30253329	Rullebane 500 × 650 mm / 19,7" × 25,6" rustfritt stål	Egnet til 500 × 650 mm plattform. Rulles til langsiden av plattformen
30253331	Rullebane 600 × 800 mm / 23,6" × 31,5" rustfritt stål	Egnet til 600 × 800 mm plattform. Rulles til kortsiden av plattformen
30640393	Rullebane 400 × 500 mm / 15,7" × 19,7" rustfritt stål	Egnet til farlig område
30640394	Rullebane 500 × 650 mm / 19,7" × 25,6" rustfritt stål	Egnet til farlig område
30640395	Rullebane 600 × 800 mm / 23,6" × 31,5" rustfritt stål	Egnet til farlig område

### Brakett til frontmontering

Artikkel #	Betegnelse	Beskrivelse
30676290	Brakett til frontmontering	Egnet til ICS4_9 frontmontering
30676291	Brakett til frontmontering	Egnet til ICS689 frontmontering

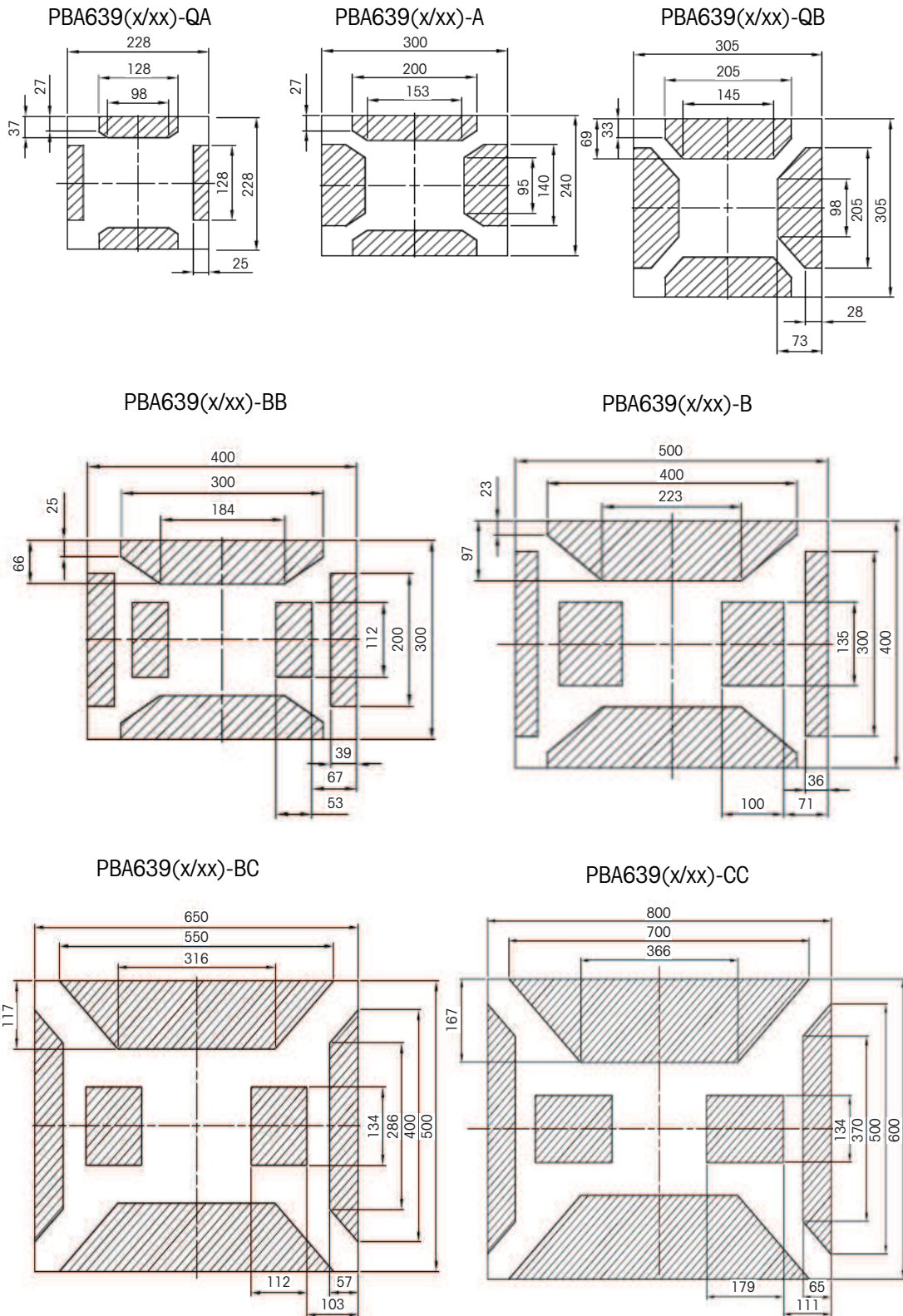


## 7 Monteringsalternativer

PBA639(x/xx) støtter montering på stabil enhet. Hvis det kreves boring på veieplattformen, må boremønsteret under følges.

**MERK: Boring er tillatt på de skraverte feltene på veieplattformen.**



Målt i [mm]







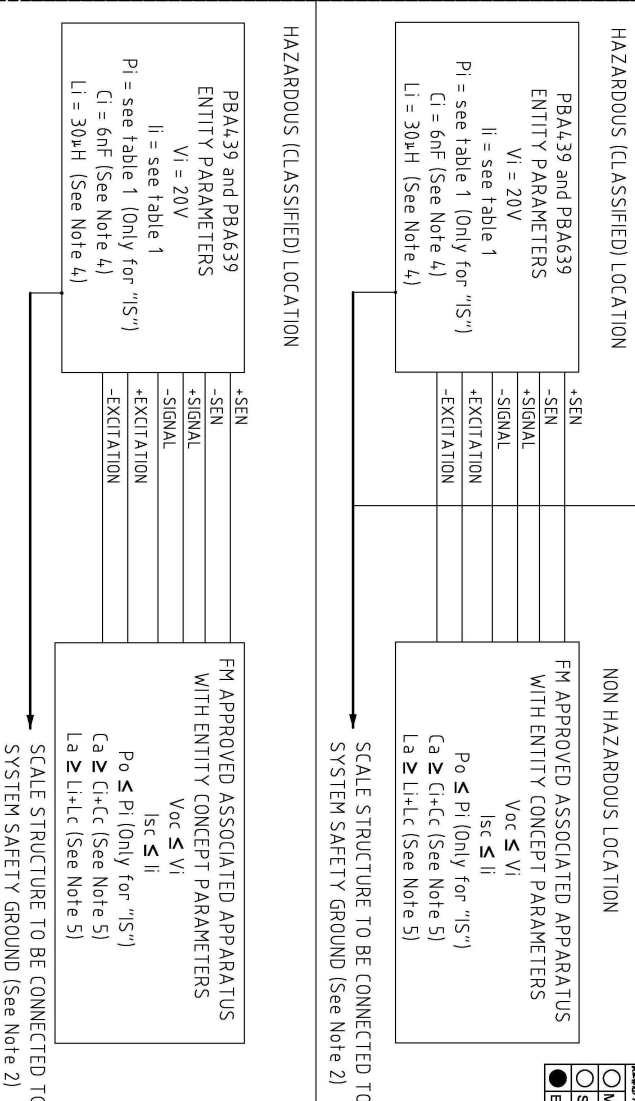
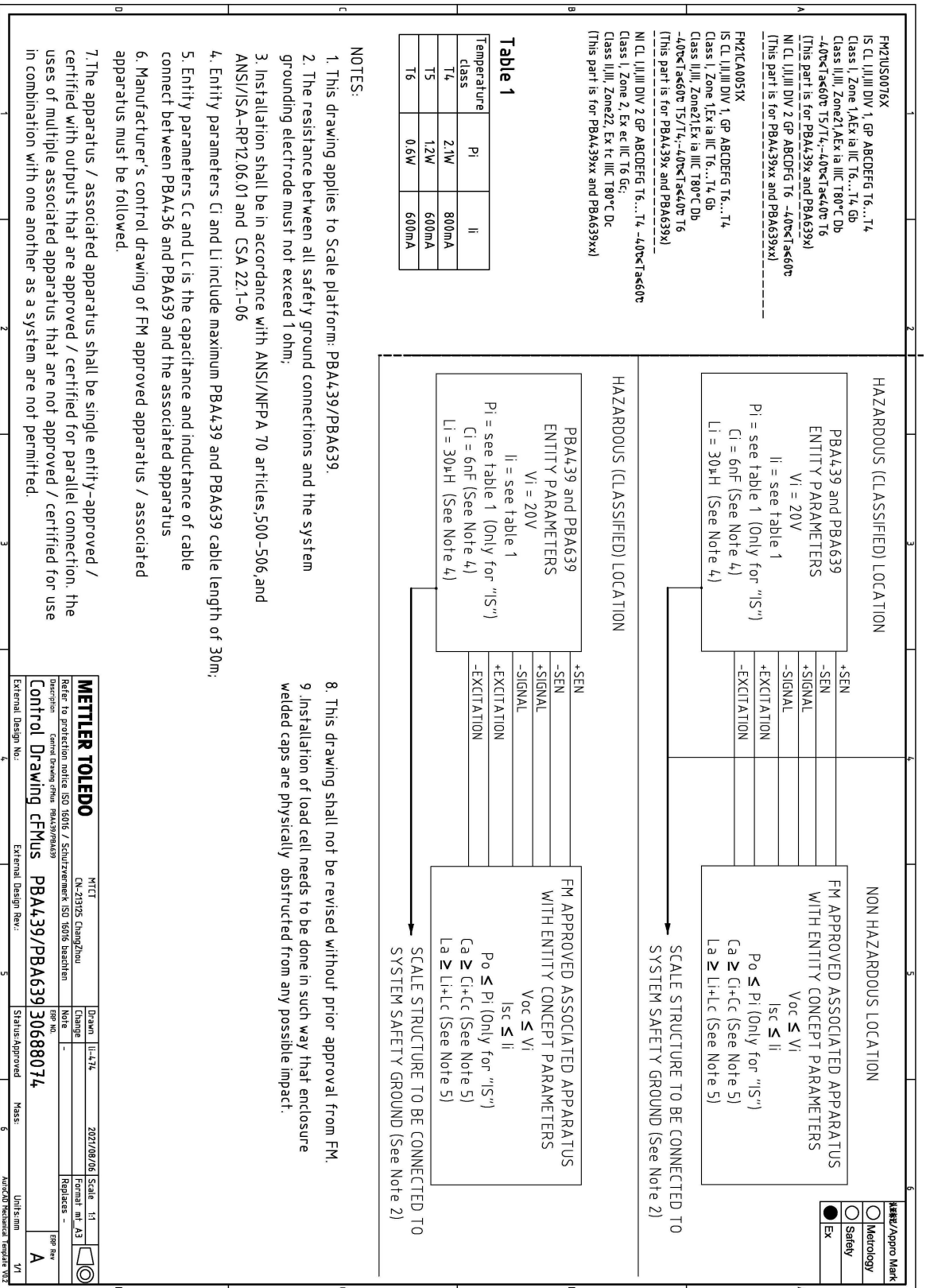
## 8 Tillegg

### 8.1 Etikett

<p>IS CL I,II,III DIV 1, GP ABCDEFG T6...T4 Class I, Zone 1, AEx ia IIC T6...T4 Gb Class II,III, Zone 21, AEx ia IIIC T80°C Db -40°C&lt;Ta&lt;60°C T5/T4; -40°C&lt;Ta&lt;40°C T6 FM21US0076X</p> <hr/> <p>IS CL I,II,III DIV 1, GP ABCDEFG T6...T4 Class I, Zone 1, Ex ia IIC T6...T4 Gb Class II,III, Zone 21, Ex ia IIIC T80°C Db -40°C&lt;Ta&lt;60°C T5/T4; -40°C&lt;Ta&lt;40°C T6 FM21CA0051X</p>	 <p>C APPROVED US IP67</p>	 <p>II 2G Ex ia IIC T6...T4 Gb II 2D Ex ia IIIC T80°C Db -40°C&lt;Ta&lt;60°C T5/T4 -40°C&lt;Ta&lt;40°C T6</p> <hr/> <p>Entity/NIFW for NonIncendive Field Wiring. Entity parameters are shown in drawing 30688074 Mettler-Toledo GmbH, Im Langacher 44, 8606 Greifensee, Switzerland</p>
---	---	--

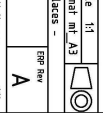
<p>NI CL I,II,III DIV 2 GP ABCDEFG T6 -40°C&lt;Ta&lt;60°C FM21US0076X</p> <hr/> <p>NI CL I,II,III DIV 2 GP ABCDEFG T6...T4 -40°C&lt;Ta&lt;60°C Class I, Zone 2, Ex ec IIC T6 Gc; Class II,III, Zone 22, Ex tc IIIC T80°C Dc FM21CA0051X</p>	 <p>C APPROVED US IP67</p>	 <p>II 3G Ex ic IIC T6...T4 Gc -40°C&lt;Ta&lt;60°C T5/T4 -40°C&lt;Ta&lt;40°C T6</p> <hr/> <p>II 3G Ex ec IIC T6 Gc U<sub>rated</sub>=20V II 3D Ex tc IIIC T80°C Dc I<sub>rated</sub>=50mA -40°C&lt;Ta&lt;60°C</p> <hr/> <p>Entity/NIFW for NonIncendive Field Wiring. Entity parameters are shown in drawing 30688074 Mettler-Toledo GmbH, Im Langacher 44, 8606 Greifensee, Switzerland</p>
---	---	--

## 8.2 Kontrolltegning



- NOTES:**
- This drawing applies to Scale platform: PBA439/PBA639.
  - The resistance between all safety ground connections and the system grounding electrode must not exceed 1 ohm;
  - Installation shall be in accordance with ANSI/NFPA 70 articles, 500-506, and ANSI/ISA-SP12.06.01 and CSA 22.1-06
  - Entity parameters Ci and Li include maximum PBA439 and PBA639 cable length of 30m;
  - Entity parameters Cc and Lc is the capacitance and inductance of cable connect between PBA436 and PBA639 and the associated apparatus
  - Manufacturer's control drawing of FM approved apparatus / associated apparatus must be followed.
  - The apparatus / associated apparatus shall be single entity-approved / certified with outputs that are approved / certified for parallel connection, the uses of multiple associated apparatus that are not approved / certified for use in combination with one another as a system are not permitted.

<b>METTLER TOLEDO</b>		MIT	CN-21375 Changzhou	Drawn: li-474	Scale: 1:1
Refer to protection notice ISO 16016 / Schutzzeichen ISO 16016 Shenzhen		CN-21375 Shenzhen		Change: -	Format: m1 A3
Description: General Drawing of Plus PBA439/PBA639		External Design No.: PBA439/PBA639		Note: -	Replaces: -
Control Drawing cFMUS		External Design Rev.: 30688074		Rev. No.: -	Rev. No.: -
External Design No.: -		Status/Approved: -		Unit/Item: A	
-		Mass: -		Unit/Item: V1	
-		-		Approved/Technical Template V03	



### 8.3 Installasjonstegning

#### Hazardous (Classified) Location

IP67 II 3G Ex ic IIC T6...T4 Gc  
-40°C ≤ T<sub>a</sub> ≤ 60°C T5/T4; -40°C ≤ T<sub>a</sub> ≤ 40°C T6

II 3G Ex ec IIC T6 Gc -40°C ≤ T<sub>a</sub> ≤ 60°C T6  
II 3D Ex tc IIC T80°C Dc  
FM21UKEX0080X  
FM21ATEX0025X IECEX FMG21.0003X

---

II 2G Ex ia IIC T6...T4 Gb  
-40°C ≤ T<sub>a</sub> ≤ 60°C T5/T4; -40°C ≤ T<sub>a</sub> ≤ 40°C T6

II 2D Ex ia IIC T80°C Db  
FM21UKEX0079X  
FM21ATEX0003X IECEX FMG21.0003X

**Approval Mark**

THIS ITEM IS PART OF AGENCY APPROVED PRODUCT

Metrology  
 Safety  
 Ex

DO NOT CHANGE DOCUMENT WITHOUT APPROPRIATE APPROVAL

SLP84x Load Cell

U<sub>i</sub> = 20V  
I<sub>i</sub> = see table2  
P<sub>i</sub> = see table 2  
C<sub>i</sub> = 6nF  
L<sub>i</sub> = 30uH

Ex Approved Associated Apparatus with Entity Concept Parameters

U<sub>o</sub> ≤ U<sub>i</sub>  
I<sub>o</sub> ≤ I<sub>i</sub>  
P<sub>o</sub> ≤ P<sub>i</sub>  
C<sub>o</sub> ≥ C<sub>c</sub>+C<sub>i</sub>  
L<sub>o</sub> ≥ L<sub>c</sub>+L<sub>i</sub>

Scale structure (attached to load cell) to be connected to system safety ground. See Note.

**NOTES:**

- The resistance between all safety ground connections and the system grounding electrode must not exceed 1ohm.
- Installation shall be in accordance with relevant electrical installation standards (Being shown in Table 1) in hazardous areas (other than mines).
- Entity Parameters C<sub>i</sub> And L<sub>i</sub> Include Maximum Load Cell Cable Length Of 30m
- Entity Parameters C<sub>c</sub> and L<sub>c</sub> is the capacitance and inductance of cable connect between load cell and the associated apparatus.
- In an explosive atmosphere caused by air/dust mixtures, the loose ends of the cable shall be connected outside the hazardous area or in a suitable enclosure with a degree of protection of at least IP6X in accordance with EN 60529.
- For the application of Ex ec, Ex tc: U<sub>rated</sub>=20V, I<sub>rated</sub>=50mA.
- Installation of load cell needs to be done in such way that enclosure welded caps are physically obstructed from any possible impact.
- ⚠ Not following these instructions will jeopardize the explosion safety.
- For the application of Ex ec, The equipment shall only be used in an area of at least pollution degree 2, as defined in IEC 60664-1.

**Table 1**

EN60079-0: 2018	EN60079-14: 2014	EN60079-11: 2012	EN60079-31: 2014
EN61241-14: 2004	EN60079-31: 2013	EN60079-7: 2015	IEC60079-31: 2013
IEC 60079-0-2017	IEC 60079-11-2011	IEC 60079-14-2013	IEC60079-7: 2015

**Table 2**

Temperature class	P <sub>i</sub>	I <sub>i</sub>
T4	2.1W	800mA
T5	1.2W	600mA
T6	0.6W	600mA

Mettler-Toledo GmbH, Im Langacher 44, 8606 Greifensee, Switzerland  
Mettler-Toledo Ltd. 64 Boston Rd. Leicester, LE4 1AW, United Kingdom

D	update drawing status	Wang jianwen	Liu yuchun				2021-7-26
C	removed Ex nA of note6	Wang jianwen	Liu yuchun				2021-1-15
REV / CHG	DESCRIPTION	BY	APPVD	AGENCY	E.R. No.	DATE	
<b>RECORD OF CHANGES</b>							
<b>METTLER TOLEDO</b>		MTCZ	Drawn	Wang JW	2020/05/11	Scale	1:1
		CN-213022 ChangZhou	Change			Format	mt_A4
Refer to protection notice ISO 16016 / Schutzvermerk ISO 16016 beachten		Note	-			Replaces	-
Description 防爆安装图 SLP84X		ERP NO.				ERP Rev	
<b>INSTALLATION DRAWING SLP84X ATEX/IECEX</b>		<b>30555321</b>					<b>D</b>
External Design No.: D000644580		External Design Rev.: D		Status: Approved	Mass:	Units: mm	1/1

AutoCAD Mechanical Template V0.2

NO





**To protect your product's future:**  
METTLER TOLEDO Service assures  
the quality, measuring accuracy and  
preservation of value of this product  
for years to come.

Please request full details about our  
attractive terms of service.

[www.mt.com](http://www.mt.com)

For more information

**Mettler-Toledo GmbH**

Im Langacher 44  
8606 Greifensee, Switzerland  
[www.mt.com/contacts](http://www.mt.com/contacts)

Subject to technical changes.  
© 08/2022 METTLER TOLEDO. All rights reserved.  
30704769D

