

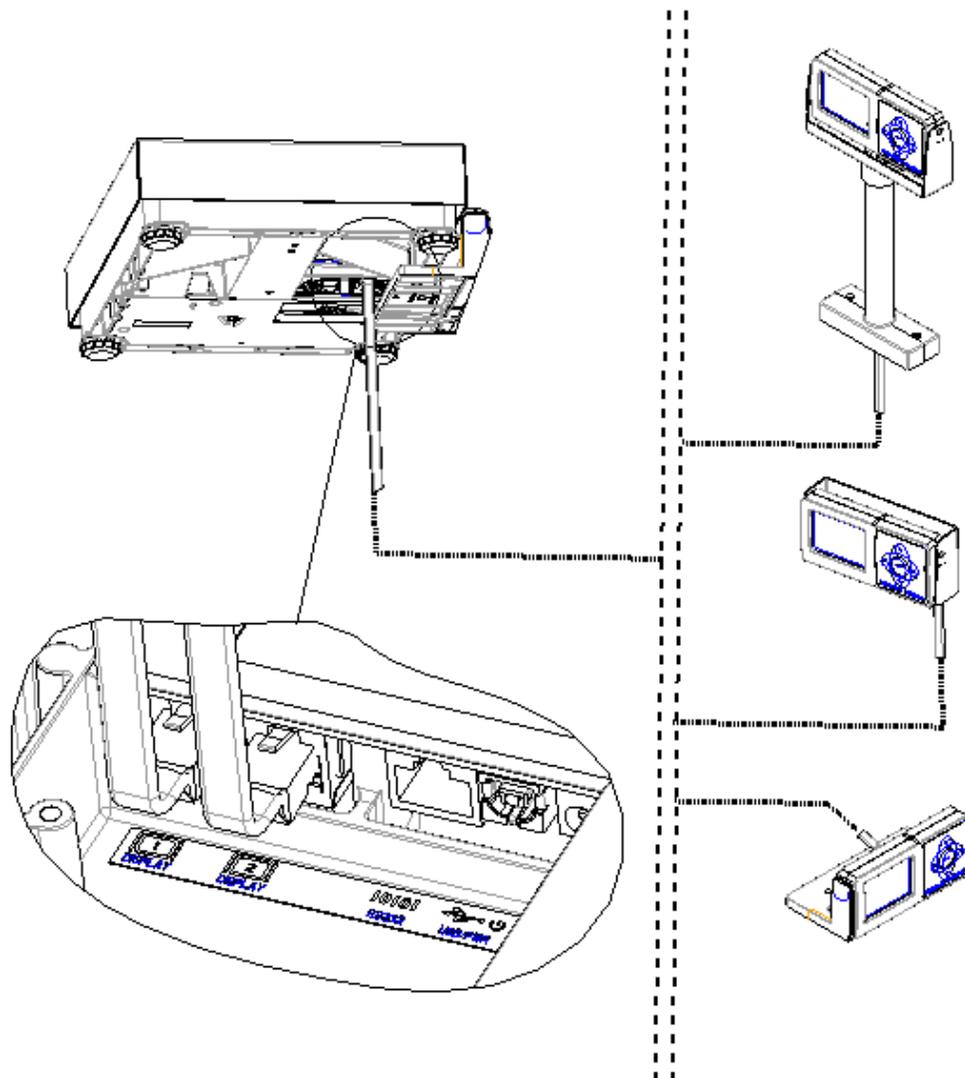
0271 SINGLE REMOTE DISPLAYS

MAJOR COMPONENTS:

1. BCA SCALE WITH OR W/O BASE-MOUNTED DISPLAY
2. REMOTE DISPLAYS:
 - a. WALL MOUNT or
 - b. SINGLE TOWER

INSTALLATION INSTRUCTIONS:

1. REMOVE POWER FROM SCALE BEFORE TAKING ANY STEPS TOWARD ADDING DISPLAYS.
2. LOCATE THE I/O CONNECTOR ACCESS UNDER THE SCALE.
3. IF THERE IS AN EXISTING BASE-MOUNTED DISPLAY IT CAN REMAIN CONNECTED.
4. CONNECT THE NEW DISPLAY BY SIMPLY PUSHING THE RJ45 CONNECTOR INTO THE UNUSED DISPLAY CONNECTOR UNTIL IT CLICKS.
5. MOUNT THE REMOTE DISPLAYS WHERE DESIRED. (MOUNTING SCREWS NOT PROVIDED.)
6. WHEN ADDING A BASE MOUNT DISPLAY IT CAN BE LOCATED IN ANY OF (3) MOUNT LOCATIONS.
7. ARRANGE AND SECURE EXCESS CABLE TO ASSURE A SAFE INSTALLATION.



30139357